

PARTS LIST

[XV-M565BK/M567GD]

* All printed circuit boards and its assemblies are not available as service parts.

Areas suffix

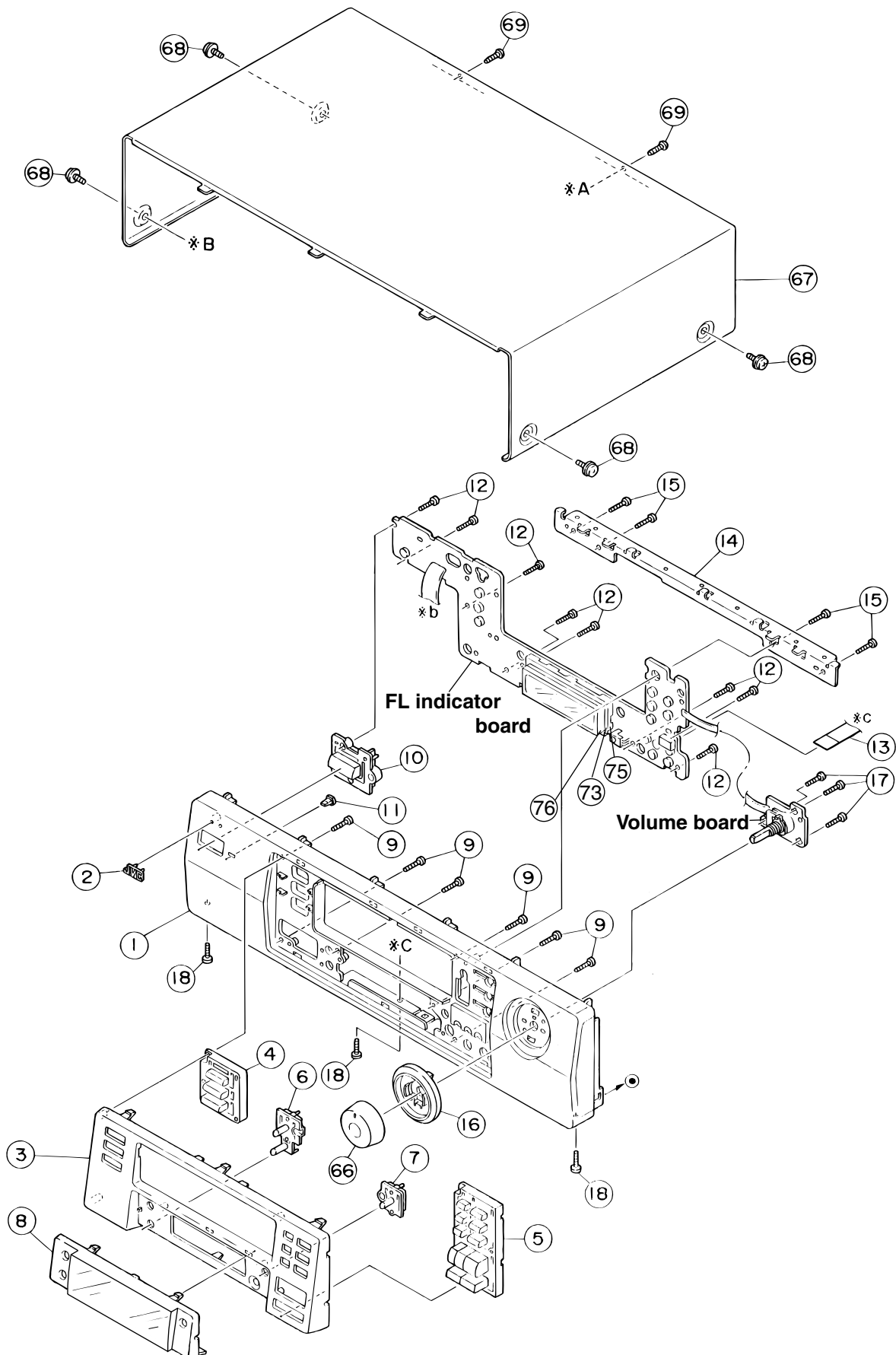
J ----- U.S.A.
C ----- Canada

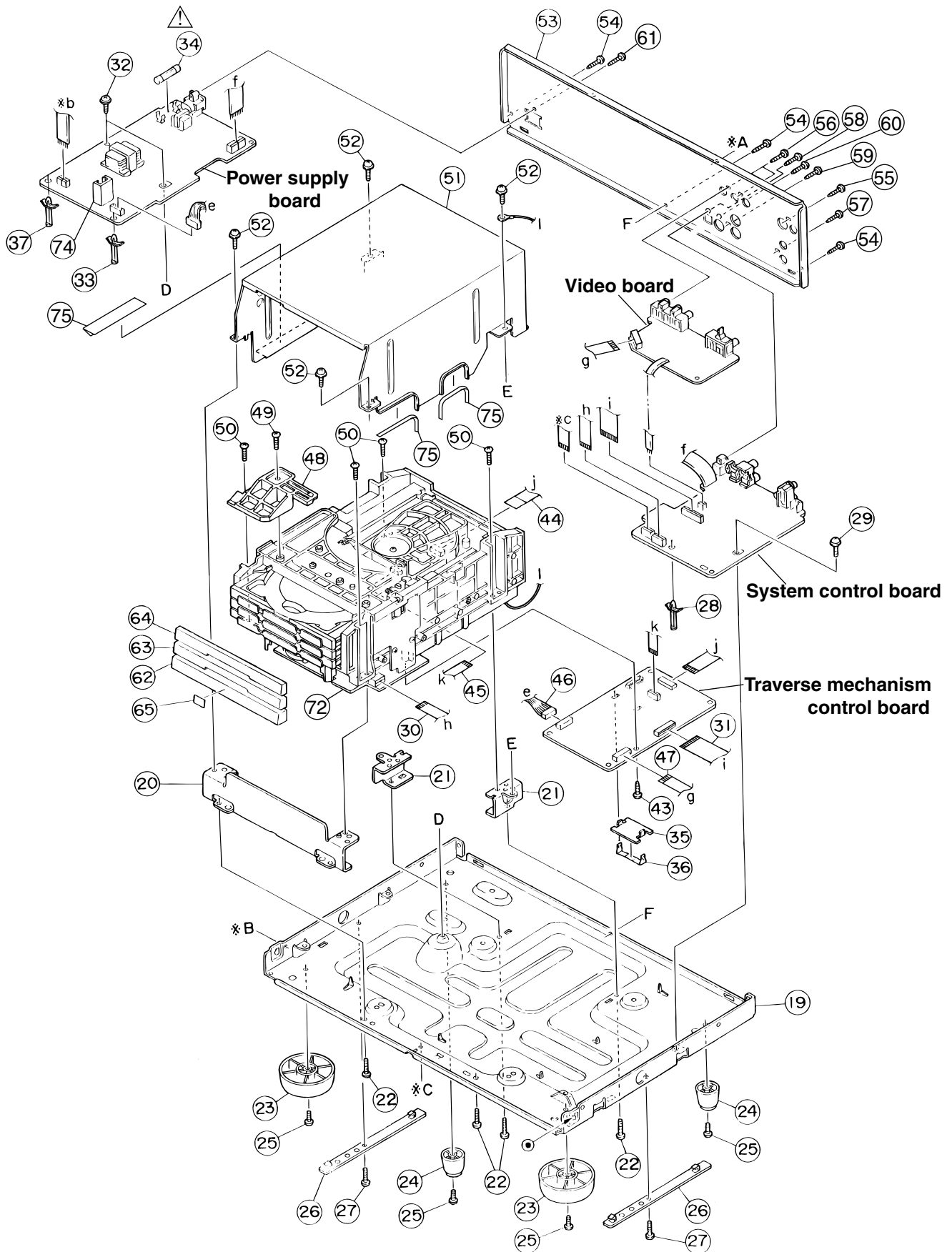
- Contents -

| | |
|--|------|
| Exploded view of general assembly and parts list | 3-2 |
| DVD changer mechanism assembly and parts list | 3-6 |
| DVD mechanism assembly and parts list | 3-8 |
| Electrical Parts List | 3-10 |
| Packing materials and accessories parts list | 3-21 |

Exploded view of general assembly and parts list

Block No. M 1 M M





■ Parts list (General Assembly)

Block No. M1MM

| △ | Item | Parts number | Parts name | Q'ty | Description | Area |
|---|------|----------------|-----------------|------|-----------------|------|
| | 1 | LV10244-018A | FRONT PANEL | 1 | XV-M567GD | |
| | | LV10244-015A | FRONT PANEL | 1 | XV-M565BK | |
| | 2 | VJD5429-001SS | JVC MARK | 1 | | |
| | 3 | LV10245-006A | CONTROL PANEL | 1 | XV-M567GD | |
| | | LV10245-001A | CONTROL PANEL | 1 | XV-M565BK | |
| | 4 | LV31260-003A | ZOOM BUTTON | 1 | XV-M567GD | |
| | | LV31260-001A | ZOOM BUTTON | 1 | XV-M565BK | |
| | 5 | LV20815-002A | PLAY BUTTON | 1 | XV-M567GD | |
| | | LV20815-001A | PLAY BUTTON | 1 | XV-M565BK | |
| | 6 | LV30787-001A | PUSH BUTTON | 1 | THEATER | |
| | 7 | LV30788-001A | PUSH BUTTON | 1 | DIMMER | |
| | 8 | LV20817-003A | LENS (VIOLET) | 1 | XV-M567GD | |
| | | LV20817-001A | LENS (VIOLET) | 1 | XV-M565BK | |
| | 9 | QYSDSF2608Z | SCREW | 6 | | |
| | 10 | LV32063-001A | POWER BUTTON | 1 | XV-M565BK | |
| | | LV32063-003A | POWER BUTTON | 1 | XV-M567GD | |
| | 11 | FSJD4001-002 | INDICATOR | 1 | | |
| | 12 | QYSDSF2608Z | SCREW | 8 | | |
| | 13 | QUQ412-0920CM | FFC WIRE | 1 | CN801 TO CN703 | |
| | 14 | LV31375-001A | FRONT BRACKET | 1 | | |
| | 15 | QYSDSF2608Z | SCREW | 4 | | |
| | 16 | LV31163-005A | SHUTTLE RING | 1 | XV-M567GD | |
| | | LV31163-004A | SHUTTLE RING | 1 | XV-M565BK | |
| | 17 | QYSDSF2608Z | SCREW | 3 | | |
| | 18 | QYSDSG3008N | SCREW(F.P-CHAS) | 3 | XV-M567GD | |
| | | QYSDSG3008M | SCREW(F.P-CHAS) | 3 | XV-M565BK | |
| | 19 | E103006-007SM | CD CHASSIS BASE | 1 | | |
| | 20 | LV31373-001A | MECHA.BKT(F) | 1 | FRONT | |
| | 21 | LV31374-001A | MECHA BKT(R) | 2 | REAR | |
| | 22 | QYSBST3008Z | T.SCREW | 4 | MECHA BKT | |
| | 23 | QZF6018-001 | FOOT | 2 | | |
| | 24 | E47227-036 | FOOT | 2 | REAR | |
| | 25 | QYSBST3008Z | T.SCREW | 4 | FOOT | |
| | 26 | LV31244-002A | SPACER | 2 | | |
| | 27 | QYSDSG3008M | SCREW | 2 | | |
| | 28 | E310244-002 | FASTENER | 1 | AUDIO CB | |
| | 29 | QYSBSGG3008E | T.SCREW | 1 | AUDIO CB | |
| | 30 | QUQ412-1020CM | FFC WIRE | 1 | CN702 TO C5 | |
| | 31 | QUQ110-2318AM | FFC WIRE | 1 | CN701 TO C5 | |
| | 32 | QYSBSGG3008E | T.SCREW | 2 | | |
| | 33 | E310244-002 | FASTENER | 1 | | |
| △ | 34 | QMF51U1-1R6-J8 | FUSE | 1 | F901 | |
| | 35 | LV41362-001A | HEAT SINK | 1 | | |
| | 36 | LV41363-002A | HOLDER | 1 | | |
| | 37 | E310244-003 | FASTNER | 1 | | |
| | 43 | QYSBSF3008Z | SCREW | 1 | MODULE CB | |
| | 44 | QUQ110-1910AJ | FFC WIRE | 1 | PU-MODULE FW101 | |
| | 45 | QUQ110-1110AJ | FFC WIRE | 1 | PU-MODULE FW102 | |

Parts list (General Assembly)

Block No. M1MM

| △ | Item | Parts number | Parts name | Q'ty | Description | Area |
|---|------|---------------|-----------------------|------|----------------|------|
| | 46 | QJJ015-091204 | SIN CR C-C WIRE | 1 | TO CN961 | |
| | 47 | QUQ110-0923AM | CARD WIRE | 1 | TO CN601 | |
| | 48 | E309662-001SM | DISC STOPPER | 1 | | |
| | 49 | QYSBSF3008Z | SCREW | 1 | | |
| | 50 | QYSBST3008Z | T.SCREW | 4 | MECHA | |
| | 51 | LV10282-001A | SHIELD CASE | 1 | | |
| | 52 | QYSBSGG3008E | T.SCREW | 4 | SHIELD CASE | |
| | 53 | LV20821-014A | REAR PANEL | 1 | XV-M565BK | |
| | | LV20821-020A | REAR PANEL | 1 | XV-M567GD | |
| | 54 | QYSBSGY3008E | SPECIAL SCREW | 3 | REAR PANEL | |
| | 55 | QYSBSGY3008E | SPECIAL SCREW | 1 | VIDEO OUT | |
| | 56 | QYSBSGY3008E | SPECIAL SCREW | 2 | AV OUT | |
| | 57 | QYSBSGY3008E | SPECIAL SCREW | 1 | COMPU.LINK | |
| | 58 | QYSBSGY3008E | SPECIAL SCREW | 1 | COAXIAL OUT | |
| | 59 | QYSBSGY3008E | SPECIAL SCREW | 1 | AUDIO OUT | |
| | 60 | QYSBSGY3008E | SPECIAL SCREW | 1 | OPTICAL OUT | |
| | 61 | QYSBSGY3008E | SPECIAL SCREW | 1 | AC OUTLET | |
| | 62 | LV20818-001A | FITTING(DISC1 LOWER) | 1 | XV-M565BK | |
| | | LV20818-003A | FITTING(DISC1 LOWER) | 1 | XV-M567GD | |
| | 63 | LV20819-002A | FITTING(DISC2 CENTR) | 1 | XV-M567GD | |
| | | LV20819-001A | FITTING(DISC2 CENTR) | 1 | XV-M565BK | |
| | 64 | LV20820-001A | FITTING(DISC3 UPPER) | 1 | XV-M565BK | |
| | | LV20820-002A | FITTING(DISC3 UPPER) | 1 | XV-M567GD | |
| | 65 | LE40564-002A | MARK | 1 | | |
| | 66 | LE30714-001A | KNOB(SHUTTLE) | 1 | XV-M565BK | |
| | | LE30714-005A | KNOB(SHUTTLE) | 1 | XV-M567GD | |
| | 67 | LV20009-310A | METAL COVER | 1 | XV-M567GD | |
| | | LV20009-311A | METAL COVER | 1 | XV-M565BK | |
| | 68 | E406308-003 | S.SCREW(SIDE M.COVER) | 4 | XV-M565BK | |
| | | E406308-004 | S.SCREW(SIDE M.COVER) | 4 | XV-M567GD | |
| | 69 | QYSBSGY3008E | SPECIAL SCREW | 2 | M.COVER REAR | |
| | 72 | ----- | DVD 3CHANGER LO | 1 | BDL1081-M001YP | |
| | 73 | E306805-134 | SPACER | 1 | | |
| | 74 | LE40505-001A | HEAT SINK | 1 | HS964 | |
| | 75 | QLF0064-001 | FL TUBE | 1 | DI801 | |
| | | LV30225-059A | SPACER | 3 | | |
| | 76 | E308192-001 | FL HOLDER | 1 | BK801 | |

DVD changer mechanism assembly and parts list

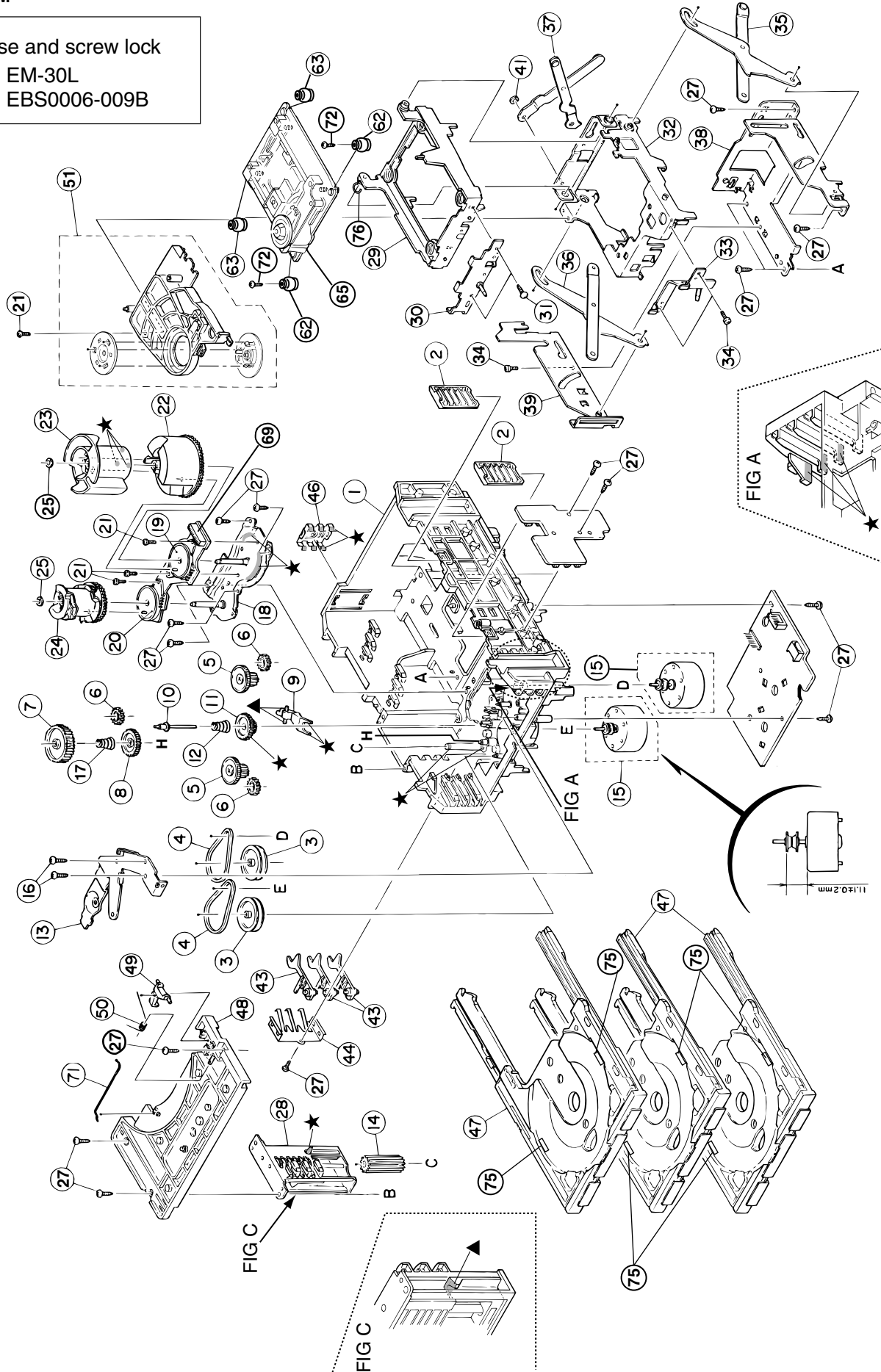
Block No. M 2 M M

FLM-C5-3M

Grease and screw lock

★ EM-30L

▲ EBS0006-009B



Parts list (DVD changer mechanism)

Block No. M2MM

| △ | Item | Parts number | Parts name | Q'ty | Description | Area |
|---|------|----------------|-----------------|------|-----------------|------|
| | 1 | VKS1144-003 | CHASSIS | 1 | | |
| | 2 | VKS3698-003 | TRAY GUIDE | 2 | | |
| | 3 | VKS5532-003 | PULLEY GEAR | 2 | | |
| | 4 | VKB3000-164 | BELT | 2 | | |
| | 5 | VKS5505-003 | GEAR B | 2 | | |
| | 6 | VKS5506-002 | GEAR C | 3 | | |
| | 7 | VKS5507-002 | CROSS GEAR U | 1 | | |
| | 8 | VKS5508-002 | CROSS GEAR L | 1 | | |
| | 9 | VKS5510-003 | SELECT LEVER | 1 | | |
| | 10 | VKH5769-001 | S.G.SHAFT | 1 | | |
| | 11 | VKS5511-002 | SELECT GEAR | 1 | | |
| | 12 | VKW5155-003 | COMP.SPRING | 1 | FOR SELECT GEAR | |
| | 13 | VKM3846-002 | GEAR BRACKET | 1 | | |
| | 14 | VKS5509-002MM | CYLINDER GEAR | 1 | | |
| | 15 | MSN-5D257A-SA2 | D.C.MOTOR | 2 | | |
| | 16 | QYSPSPD2616Z | SCREW | 2 | FOR MOTOR | |
| | 17 | LV40612-001A | COMP.SPRING | 1 | | |
| | 18 | VKM3825-00AMM | C.G.BASE ASS'Y | 1 | | |
| | 19 | VKZ3172-00ASS | CAM SW. R ASS'Y | 1 | | |
| | 20 | VKZ3173-00ASS | CAM SW. L ASS'Y | 1 | | |
| | 21 | QYSPST2606Z | SCREW | 4 | FOR CAM SW. | |
| | 22 | VKS2263-002MM | CAM R1 | 1 | | |
| | 23 | VKS2264-002MM | CAM R2 | 1 | | |
| | 24 | VKS2265-002MM | CAM GEAR L | 1 | | |
| | 25 | WDL316050MM | SLIT WASHER | 2 | | |
| | 27 | QYSBSF2608Z | T.SCREW | 16 | FOR C.GEAR BASE | |
| | 28 | VKS3702-00FMM | DRIVE UNIT | 1 | | |
| | 29 | LV20466-001A | MECHA HOLDER A | 1 | | |
| | 30 | VKL7767-00C | BRACKET ASSY | 1 | | |
| | 31 | QYSBSF2606Z | SCREW | 2 | FOR BRACKET | |
| | 32 | VKM3860-00B | MCHA HOLDER ASS | 1 | | |
| | 33 | VKL7802-00C | M.HOLDER C AS'Y | 1 | | |
| | 34 | QYSDST2604Z | SCREW | 3 | FOR M.HOLDER C | |
| | 35 | VKL7810-00A | LIFTER ASS'Y R | 1 | | |
| | 36 | VKL7811-00A | LIFTER ASS'Y L | 1 | | |
| | 37 | VKL7812-00A | LIFTER ASS'Y H | 1 | | |
| | 38 | VKL2732-002 | LIFTER BASE | 1 | | |
| | 39 | VKM3857-001 | LIFTER BRACKET | 1 | | |
| | 41 | WDL266035-2 | SLIT WASHER | 1 | | |
| | 43 | VKS5514-002MM | LOCK LEVER | 3 | | |
| | 44 | VKY3133-002MM | RETURN SPRING | 1 | | |
| | 46 | VKY3134-003MM | CLICK SPRING | 1 | | |
| | 47 | VKS2252-00F | TRAY ASS'Y | 3 | | |
| | 48 | VKS2250-003 | TOP BRACKET | 1 | | |
| | 49 | VKS5515-002 | S.TRAY STOPPER | 1 | | |
| | 50 | VKW5156-004 | TORSION SPRING | 1 | | |
| | 51 | VKS3703-00J | CLAMPER ASS'Y | 1 | | |
| | 62 | LV41120-001A | INSULATOR | 2 | | |
| | 63 | LV41120-002A | INSULATOR | 2 | | |
| | 65 | ----- | DVD MECHA | 1 | | |
| | 69 | QGB2012J1-10 | CONNECTOR | 1 | | |
| | 71 | VKW5187-001 | ROD | 1 | | |
| | 72 | LV41119-001A | SPECIAL SCREW | 2 | | |
| | 75 | LV41568-002A | SHEET | 6 | | |
| | 76 | LV41571-001A | SPACER | 1 | | |

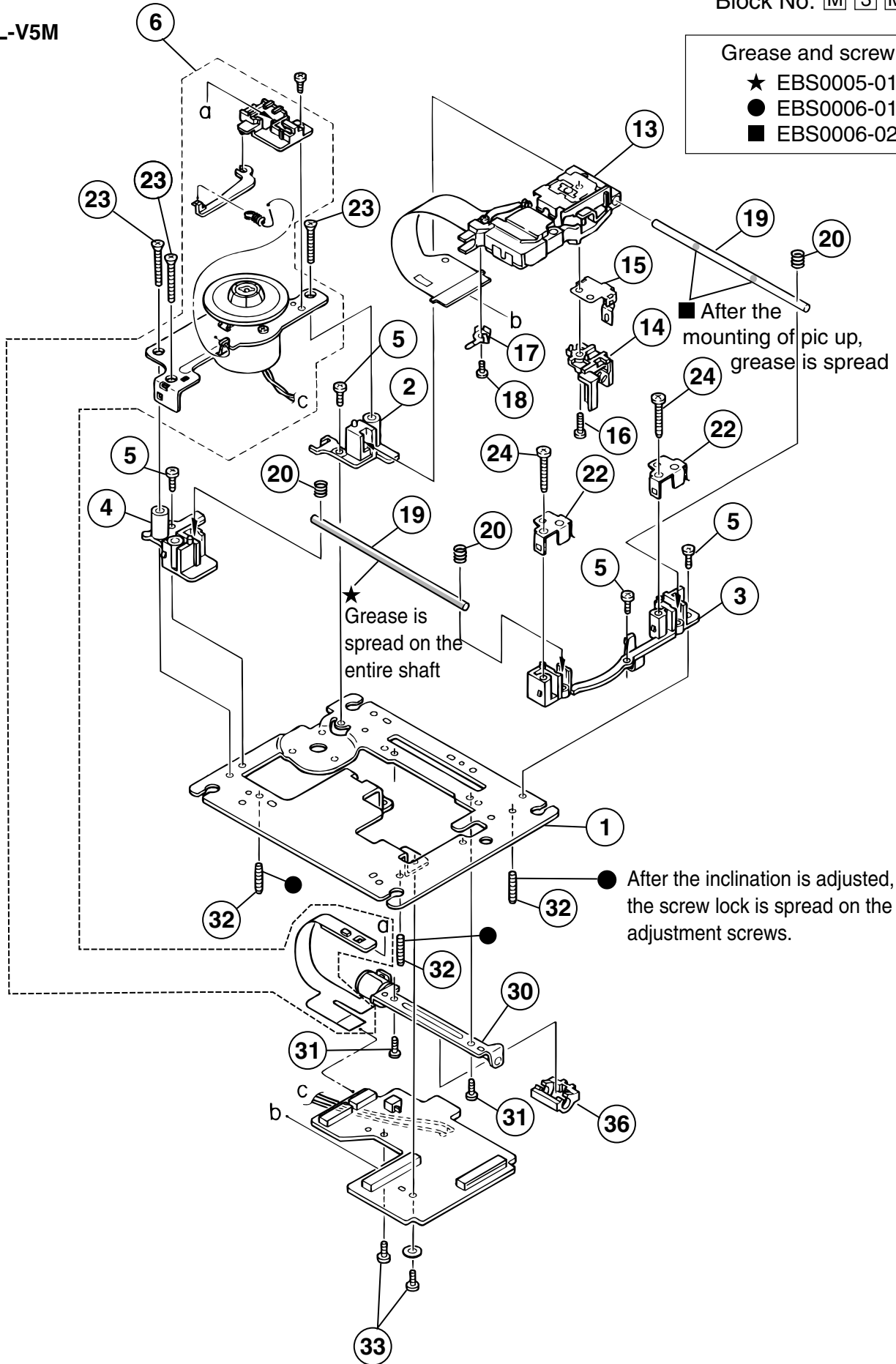
DVD mechanism assembly and parts list

FXL-V5M

Block No. M 3 M M

Grease and screw lock

- ★ EBS0005-013B
- EBS0006-014B
- EBS0006-020B



Parts list (DVD mechanism)

Block No. M3MM

| △ | Item | Parts number | Parts name | Q'ty | Description | Area |
|---|------|----------------|-----------------|------|----------------|------|
| | 1 | LV20463-001A | MECHA BASE | 1 | | |
| | 2 | LV31286-001A | SHAFT HOLDER 1 | 1 | | |
| | 3 | LV31287-001A | SHAFT HOLDER 2 | 1 | | |
| | 4 | LV31288-001A | SHAFT HOLDER 3 | 1 | | |
| | 5 | QYSBST2005Z | T.SCREW | 4 | SHAFT HOLDER | |
| | 6 | VDG1081-001TT5 | SP.MOTOR BKT AS | 1 | ASS'Y | |
| △ | 13 | QAL0186-001 | DVD PICK UP | 1 | | |
| | 14 | LV31285-002A | RACK BASE | 1 | FOR DVD PICK | |
| | 15 | LV41109-001A | R.BASE SPRING | 1 | FOR RACK BASE | |
| | 16 | QYSPSPU1740M | SCREW | 1 | FOR RACK BASE | |
| | 17 | LV31359-001A | P.U. SPRING | 1 | FOR DVD PICK | |
| | 18 | LV41021-001A | SPECIAL SCREW | 1 | FOR P.U.SPRING | |
| | 19 | LV41121-001A | SHAFT | 2 | | |
| | 20 | LV41115-002A | SPRING | 3 | FOR TILT | |
| | 22 | LV31283-002A | S.HOLDER BKT | 2 | FOR S.HOLDER2 | |
| | 23 | QYSSST2615Z | TAP SCREW | 3 | MOTOR BKT | |
| | 24 | QYSDST2616Z | SCREW | 2 | S.H.BKT*2 | |
| | 25 | LV41111-002A | FPC HOLDER | 1 | | |
| | 30 | QAR0106-001 | FEED MOTOR | 1 | | |
| | 31 | VKZ4539-026 | MINI SCREW | 2 | FOR F.MOTOR | |
| | 32 | QYYASPF2610N | SCREW | 3 | FOR TILT | |
| | 33 | QYSBST2005Z | T.SCREW | 2 | FOR PW.BORD | |
| | 36 | LV41479-002A | RACK COVER | 1 | | |

Electrical Parts List

■ Electrical parts list (Main board)

Block No. 01

| △ | Item | Parts number | Parts name | Remarks | Area | △ | Item | Parts number | Parts name | Remarks | Area |
|---|-------|--------------|----------------|-----------------|------|---|-------|--------------|----------------|----------------|------|
| | C 601 | QCS11HJ-181 | C CAPACITOR | 180PF 5% 50V | | | C 752 | QFN31HJ-333Z | M.CAPACITOR | .033MF 5% 50V | |
| | C 603 | QCS11HJ-680 | C CAPACITOR | 68PF 5% 50V | | | C 753 | QFLC1HJ-152Z | M CAPACITOR | 1500PF 5% 50V | |
| | C 604 | QCS11HJ-150 | C CAPACITOR | 15PF 5% 50V | | | C 754 | QFLC1HJ-182Z | M CAPACITOR | 1800PF 5% 50V | |
| | C 609 | QETN0JM-477Z | E CAPACITOR | 470MF 20% 6.3V | | | C 755 | QFN31HJ-103Z | M CAPACITOR | .010MF 5% 50V | |
| | C 611 | QCS11HJ-181 | C CAPACITOR | 180PF 5% 50V | | | C 756 | QETN1EM-476Z | E CAPACITOR | 47MF 20% 25V | |
| | C 613 | QCS11HJ-680 | C CAPACITOR | 68PF 5% 50V | | | C 757 | QFLC1HJ-152Z | M CAPACITOR | 1500PF 5% 50V | |
| | C 614 | QCS11HJ-150 | C CAPACITOR | 15PF 5% 50V | | | C 761 | QETN1CM-107Z | E CAPACITOR | 100MF 20% 16V | |
| | C 619 | QETN0JM-477Z | E CAPACITOR | 470MF 20% 6.3V | | | C 762 | QETN1CM-107Z | E CAPACITOR | 100MF 20% 16V | |
| | C 621 | QCS11HJ-121 | C CAPACITOR | 120PF 5% 50V | | | C 771 | QETN1CM-107Z | E CAPACITOR | 100MF 20% 16V | |
| | C 623 | QCS11HJ-470 | C CAPACITOR | 47PF 5% 50V | | | C 772 | QETN1CM-107Z | E CAPACITOR | 100MF 20% 16V | |
| | C 624 | QCS11HJ-100 | C CAPACITOR | 10PF 5% 50V | | | C 797 | NCB21HK-103X | C CAPACITOR | | |
| | C 629 | QETN0JM-477Z | E CAPACITOR | 470MF 20% 6.3V | | | C 798 | NCB21HK-103X | C CAPACITOR | | |
| | C 631 | QCS11HJ-121 | C CAPACITOR | 120PF 5% 50V | | | C 801 | NCB21EK-104X | C CAPACITOR | | |
| | C 633 | QCS11HJ-470 | C CAPACITOR | 47PF 5% 50V | | | C 802 | QEKC1AM-476Z | E.CAPACITOR | 47MF 20% 10V | |
| | C 634 | QCS11HJ-100 | C CAPACITOR | 10PF 5% 50V | | | C 811 | NCB21EK-104X | C CAPACITOR | | |
| | C 639 | NCB21EK-104X | C CAPACITOR | | | | C 812 | QEKC0JM-476Z | E.CAPACITOR | 47MF 20% 6.3V | |
| | C 641 | QCS11HJ-121 | C CAPACITOR | 120PF 5% 50V | | | C 813 | NCB21EK-104X | C CAPACITOR | | |
| | C 643 | QCS11HJ-470 | C CAPACITOR | 47PF 5% 50V | | | C 814 | NCS21HJ-220X | C CAPACITOR | | |
| | C 644 | QCS11HJ-100 | C CAPACITOR | 10PF 5% 50V | | | C 821 | QEKC1HM-475Z | E.CAPACITOR | 4.7MF 20% 50V | |
| | C 649 | QETN0JM-477Z | E CAPACITOR | 470MF 20% 6.3V | | △ | C 902 | QFZ9067-683 | C CAPACITOR | .068MF | |
| | C 659 | QETN0JM-477Z | E CAPACITOR | 470MF 20% 6.3V | | △ | C 906 | QCZ9079-102 | C CAPACITOR | 1000PF | |
| | C 701 | QETN1HM-105Z | E CAPACITOR | 1.0MF 20% 50V | | △ | C 907 | QETM2DM-157 | E CAPACITOR | 150MF 20% | |
| | C 702 | NCB21EK-104X | C CAPACITOR | | | | C 908 | QCZ0136-332Z | C CAPACITOR | 3300PF | |
| | C 703 | QETN1CM-226Z | E CAPACITOR | 22MF 20% 16V | | | C 909 | QCZ0136-101Z | C CAPACITOR | 100PF | |
| | C 704 | NCB21EK-104X | C CAPACITOR | | | | C 910 | QCS11HJ-221 | C CAPACITOR | 220PF 5% 50V | |
| | C 705 | NCB21EK-104X | C CAPACITOR | | | | C 913 | QCZ0136-221Z | C CAPACITOR | 220PF | |
| | C 706 | QFVF1HJ-104Z | TF CAPACITOR | .10MF 5% 50V | | | C 914 | QEMX1EM-396Z | E CAPA I/M | 39MF 20% 25V | |
| | C 707 | QETN0JM-107Z | E CAPACITOR | 100MF 20% 6.3V | | | C 915 | QCB1HK-471Y | C CAPACITOR | 470PF 10% 50V | |
| | C 708 | NCB21EK-104X | C CAPACITOR | | | △ | C 916 | QCZ9079-332 | C CAPACITOR | 3300PF | |
| | C 709 | NCS21HJ-331X | C CAPACITOR | | | | C 917 | QCZ0205-155Z | ML C CAPACITOR | 1.5MF | |
| | C 710 | QETN1AM-477Z | E CAPACITOR | 470MF 20% 10V | | | C 918 | QCFB1HZ-104Y | C CAPACITOR | .10MF +80:-20% | |
| | C 711 | QCZ0205-155Z | ML C CAPACITOR | 1.5MF | | | C 931 | QCZ0205-155Z | ML C CAPACITOR | 1.5MF | |
| | C 712 | QETN0JM-477Z | E CAPACITOR | 470MF 20% 6.3V | | | C 951 | QCS11HJ-101 | C CAPACITOR | 100PF 5% 50V | |
| | C 714 | QETN0JM-477Z | E CAPACITOR | 470MF 20% 6.3V | | | C 952 | QCS11HJ-101 | C CAPACITOR | 100PF 5% 50V | |
| | C 715 | QCZ0205-155Z | ML C CAPACITOR | 1.5MF | | | C 953 | QCS11HJ-101 | C CAPACITOR | 100PF 5% 50V | |
| | C 716 | QETN0JM-477Z | E CAPACITOR | 470MF 20% 6.3V | | | C 954 | QCS11HJ-101 | C CAPACITOR | 100PF 5% 50V | |
| | C 717 | QCZ0205-155Z | ML C CAPACITOR | 1.5MF | | | C 956 | QCS11HJ-101 | C CAPACITOR | 100PF 5% 50V | |
| | C 718 | QETN0JM-477Z | E CAPACITOR | 470MF 20% 6.3V | | | C 957 | QCS11HJ-101 | C CAPACITOR | 100PF 5% 50V | |
| | C 720 | NCB21EK-104X | C CAPACITOR | | | | C 960 | QEMX1AM-826Z | E CAPA. I/M | 82MF 20% 10V | |
| | C 721 | QCZ0205-155Z | ML C CAPACITOR | 1.5MF | | | C 961 | QCZ0205-155Z | ML C CAPACITOR | 1.5MF | |
| | C 722 | QCF11HZ-473 | C CAPACITOR | .047MF +80:-20% | | | C 962 | QETN1HM-226Z | E CAPACITOR | 22MF 20% 50V | |
| | C 724 | QCF11HZ-103 | C CAPACITOR | .010MF +80:-20% | | | C 963 | QEMX1HM-396Z | E CAPA I/M | 39MF 20% 50V | |
| | C 725 | QETN1CM-477Z | E CAPACITOR | 470MF 20% 16V | | | C 964 | QETN1HM-226Z | E CAPACITOR | 22MF 20% 50V | |
| | C 726 | QETN1CM-227Z | E CAPACITOR | 220MF 20% 16V | | | C 965 | QEMV1AM-108 | E CAPACITOR | 1000MF 20% 10V | |
| | C 727 | QETN1AM-227Z | E CAPACITOR | 220MF 20% 10V | | | C 966 | QETN1AM-477Z | E CAPACITOR | 470MF 20% 10V | |
| | C 728 | QETN1AM-107Z | E CAPACITOR | 100MF 20% 10V | | | C 967 | QFVJ1HJ-104Z | TF CAPACITOR | .10MF 5% 50V | |
| | C 730 | QFVJ1HJ-474Z | CAPACITOR | .47MF 5% 50V | | | C 968 | QFVJ1HJ-104Z | TF CAPACITOR | .10MF 5% 50V | |
| | C 731 | QDYB1CM-103Y | C.CAPACITOR | | | | C 969 | QETN1AM-227Z | E CAPACITOR | 220MF 20% 10V | |
| | C 732 | QDGB1HK-102Y | C CAPACITOR | | | | C 970 | QFVJ1HJ-104Z | TF CAPACITOR | .10MF 5% 50V | |
| | C 733 | QDGB1HK-102Y | C CAPACITOR | | | | C 973 | QETN1AM-107Z | E CAPACITOR | 100MF 20% 10V | |
| | C 734 | QDX31EM-473Z | C.CAPACITOR | | | | C 974 | QETN1AM-107Z | E CAPACITOR | 100MF 20% 10V | |
| | C 735 | NCB21EK-104X | C CAPACITOR | | | | C 976 | QFVJ1HJ-104Z | TF CAPACITOR | .10MF 5% 50V | |
| | C 736 | NCB21EK-104X | C CAPACITOR | | | | C 977 | QFVJ1HJ-104Z | TF CAPACITOR | .10MF 5% 50V | |
| | C 740 | QFLC1HJ-152Z | M CAPACITOR | 1500PF 5% 50V | | | C 978 | QETN1AM-107Z | E CAPACITOR | 100MF 20% 10V | |
| | C 741 | QFLC1HJ-181Z | M.CAPACITOR | 180PF 5% 50V | | | C 979 | QEMV1CM-827 | E CAPACITOR | 820MF 20% 16V | |
| | C 742 | QFN31HJ-333Z | M.CAPACITOR | .033MF 5% 50V | | | C 981 | QCZ0205-155Z | ML C CAPACITOR | 1.5MF | |
| | C 743 | QFLC1HJ-152Z | M CAPACITOR | 1500PF 5% 50V | | | C 982 | QEMV1EM-567 | E CAPACITOR | 560MF 20% 25V | |
| | C 744 | QFLC1HJ-182Z | M CAPACITOR | 1800PF 5% 50V | | | C 984 | QETN1EM-227Z | E CAPACITOR | 220MF 20% 25V | |
| | C 745 | QFN31HJ-103Z | M CAPACITOR | .010MF 5% 50V | | | C 987 | QEMX1EM-187Z | E CAPA I/M | 180MF 20% 25V | |
| | C 746 | QETN1EM-476Z | E CAPACITOR | 47MF 20% 25V | | | C 989 | QETN1EM-107Z | E CAPACITOR | 100MF 20% 25V | |
| | C 747 | QFLC1HJ-152Z | M CAPACITOR | 1500PF 5% 50V | | | C 992 | QETN1HM-474Z | E CAPACITOR | .47MF 20% 50V | |
| | C 750 | QFLC1HJ-152Z | M CAPACITOR | 1500PF 5% 50V | | | C 993 | QCS11HJ-101 | C CAPACITOR | 100PF 5% 50V | |
| | C 751 | QFLC1HJ-181Z | M.CAPACITOR | 180PF 5% 50V | | | C 994 | QDVB1EZ-223Y | C CAPACITOR | | |

■ Electrical parts list (Main board)

Block No. 01

| △ | Item | Parts number | Parts name | Remarks | Area | △ | Item | Parts number | Parts name | Remarks | Area |
|---|-------|----------------|----------------|---------------|------|---|-------|---------------|-----------------|-----------------|------|
| | C 995 | QETN1CM-227Z | E CAPACITOR | 220MF 20% 16V | | | EP951 | QNZ0136-001Z | EARTH PLATE | | |
| | C 996 | QETN1CM-226Z | E CAPACITOR | 22MF 20% 16V | | | FC901 | QNG0003-001Z | FUSE CLIP | | |
| | C 997 | QETN1CM-227Z | E CAPACITOR | 220MF 20% 16V | | | FC902 | QNG0003-001Z | FUSE CLIP | | |
| | CN601 | QGF1016F1-09 | CONNECTOR | | | | FW601 | QUM133-10DGZ4 | PARA RIBON WIRE | TO CN704 | |
| | CN701 | QGF1016C1-23 | CONNECTOR | | | | FW701 | QUM138-26DGZ4 | PARA RIBON WIRE | TO CN951&CN952 | |
| | CN702 | QGF1205C1-10 | CONNECTOR | | | | FW801 | QUM136-16DGZ4 | PARA RIBON WIRE | TO CN971&CN972 | |
| | CN703 | QGF1205C1-09 | CONNECTOR | | | | FW802 | QUM133-15Z4Z4 | PARA RIBON WIRE | TO FW841(SHUT) | |
| | CN704 | QGD2501C1-03Z | SOCKET | | | | IC701 | MN101C12GHC | IC | SYSTEM MICOM | |
| | CN801 | QGF1210G1-09 | CONNECTOR | | | | IC702 | IC-PST9140-T | IC | | |
| | CN951 | QGD2501C1-04Z | SOCKET | | | | IC703 | MN35503-X | IC | | |
| | CN952 | QGD2501C1-04Z | SOCKET | | | | IC704 | TC7S08F-W | IC | | |
| | CN961 | QGA2001C1-09 | 9P PLUG ASSY | | | △ | IC711 | BA41W12ST-V5 | IC | | |
| | CN971 | QGD2501C1-03Z | SOCKET | | | | IC741 | NJM4580M-X | IC | | |
| | CN972 | QGD2501C1-03Z | SOCKET | | | | IC751 | NJM4580M-X | IC | | |
| △ | CP951 | ICP-N10-T | ICP | | | | IC791 | AK93C45AF-W | IC | | |
| △ | CP952 | ICP-N5-T | ICP | | | | IC801 | GP1U271X | RM RECIVER | | |
| | C1701 | QETN1EM-476Z | E CAPACITOR | 47MF 20% 25V | | | IC802 | M35500BGP | FL DRIVER | | |
| | C1702 | QETN1EM-476Z | E CAPACITOR | 47MF 20% 25V | | △ | IC901 | STR-G6651 | IC | | |
| | C1703 | NCS21HJ-151X | C CAPACITOR | | | | IC951 | PQ05RD21 | IC | | |
| | C1704 | NCS21HJ-221X | C CAPACITOR | | | △ | IC953 | NJM78M05FA | IC | | |
| | C1705 | NCS21HJ-221X | C CAPACITOR | | | | J 601 | QNN0317-001 | PIN JACK | COMPONENT | |
| | D 609 | 1SS133-T2 | SI DIODE | | | | J 602 | QNZ0430-001 | AV JACK | S-OUT&VIDEO | |
| | D 619 | 1SS133-T2 | SI DIODE | | | | J 701 | QNN0170-002 | PIN JACK | AUDIO OUT | |
| | D 629 | 1SS133-T2 | SI DIODE | | | | J 702 | QNS0083-001 | 3.5 JACK | AV COMPLINK | |
| | D 639 | 1SS133-T2 | SI DIODE | | | | J 703 | GP1FA550TZ | OPT TRANSMITTER | OPT DIGITAL OUT | |
| | D 649 | 1SS133-T2 | SI DIODE | | | | J 704 | QNN0347-001 | PIN JACK | COAXIAL DIGITAL | |
| | D 701 | 1SS133-T2 | SI DIODE | | | | K 601 | QQR0601-001Z | FERRITE BEADS | | |
| | D 702 | MTZJ3.3B-T2 | ZENER DIODE IM | | | | K 603 | QQR0601-001Z | FERRITE BEADS | | |
| | D 709 | 1SS133-T2 | SI DIODE | | | | K 701 | NQR0227-004X | FERRITE BEADS | | |
| | D 731 | KV1555N-T | VARI CAPACITOR | | | | K 702 | NQR0227-004X | FERRITE BEADS | | |
| | D 732 | KV1555N-T | VARI CAPACITOR | | | | K 703 | NQR0227-004X | FERRITE BEADS | | |
| | D 733 | MTZJ5.1C-T2 | ZENER DIODE | | | | K 704 | NQR0227-004X | FERRITE BEADS | | |
| | D 791 | 1SS133-T2 | SI DIODE | | | | K 706 | NQR0227-004X | FERRITE BEADS | | |
| | D 792 | 1SS133-T2 | SI DIODE | | | | K 708 | NQR0227-004X | FERRITE BEADS | | |
| | D 801 | SLR-342VC-T | LED | STANDBY | | | K 902 | QQR0601-001Z | FERRITE BEADS | | |
| | D 821 | SLR-342MC-T | LED | | | | L 601 | QQL071J-120Y | INDUCTOR | | |
| | D 822 | SLR-342MC-T | LED | | | | L 602 | QQL071J-5R6Y | INDUCTOR | | |
| | D 823 | SLR-342MC-T | LED | | | | L 611 | QQL071J-120Y | INDUCTOR | | |
| | D 831 | 1SS133-T2 | SI DIODE | | | | L 612 | QQL071J-5R6Y | INDUCTOR | | |
| | D 832 | 1SS133-T2 | SI DIODE | | | | L 621 | QQL071J-120Y | INDUCTOR | | |
| | D 833 | 1SS133-T2 | SI DIODE | | | | L 622 | QQL071J-5R6Y | INDUCTOR | | |
| △ | D 901 | S1WB/A/60-4101 | BRIDGE DIODE | | | | L 631 | QQL071J-120Y | INDUCTOR | | |
| △ | D 902 | ERA18-04-T1 | FR DIODE | | | | L 632 | QQL071J-5R6Y | INDUCTOR | | |
| △ | D 903 | ERA18-04-T1 | FR DIODE | | | | L 641 | QQL071J-120Y | INDUCTOR | | |
| △ | D 904 | ERA18-04-T1 | FR DIODE | | | | L 642 | QQL071J-5R6Y | INDUCTOR | | |
| △ | D 908 | ERA18-04-T1 | FR DIODE | | | | L 709 | QQL071J-2R2Y | INDUCTOR | | |
| △ | D 910 | ERA18-04-T1 | FR DIODE | | | | L 710 | QQL071J-221Y | INDUCTOR | | |
| | D 911 | 1SS133-T2 | SI DIODE | | | | L 731 | QQL071J-1R2Y | INDUCTOR | | |
| | D 950 | MTZJ22C-T2 | ZENER DIODE | | | △ | L 901 | QQR0894-001 | LINE FILTER | | |
| △ | D 951 | ERA18-04-T1 | FR DIODE | | | | L 951 | QQL01BK-R22Z | P COIL | | |
| △ | D 952 | ERA18-04-T1 | FR DIODE | | | | L 952 | QQL31AK-101Z | INDUCTOR | | |
| △ | D 953 | FMB-24 | FUSEIODE | | | | L 955 | QQL31AK-101Z | INDUCTOR | | |
| △ | D 954 | ERA18-04-T1 | FR DIODE | | | | L 957 | QQL31AK-101Z | INDUCTOR | | |
| △ | D 956 | ERA18-04-T1 | FR DIODE | | | | L 959 | QQL31AK-101Z | INDUCTOR | | |
| △ | D 957 | ERA18-04-T1 | FR DIODE | | | | P 901 | QNC0046-001 | AC INLET | | |
| | D 960 | MTZJ2.0A-T2 | ZENER DIODE | | | △ | PC901 | PC123FY | IC(PHOTO COUPLE | | |
| | D 970 | 1SS133-T2 | SI DIODE | | | △ | PC902 | PC123FY | IC(PHOTO COUPLE | | |
| | D 971 | 1SR35-100A-T5 | SI DIODE | | | | Q 601 | 2SA1175/FE/-T | TRANSISTOR | | |
| | D 972 | 1SS133-T2 | SI DIODE | | | | Q 611 | 2SA1175/FE/-T | TRANSISTOR | | |
| | D 973 | 1SS133-T2 | SI DIODE | | | | Q 621 | 2SA1175/FE/-T | TRANSISTOR | | |
| | D 974 | 1SS133-T2 | SI DIODE | | | | Q 631 | 2SA1175/FE/-T | TRANSISTOR | | |
| | D 991 | MTZJ5.1C-T2 | ZENER DIODE | | | | Q 641 | 2SA1175/FE/-T | TRANSISTOR | | |
| | EP711 | QNZ0136-001Z | EARTH PLATE | | | | Q 709 | DTC114YKA-X | CHIP D.TRANSIST | | |

■ Electrical parts list (Main board)

Block No. 01

| △ | Item | Parts number | Parts name | Remarks | Area | △ | Item | Parts number | Parts name | Remarks | Area |
|---|-------|---------------|-----------------|--------------|------|---|-------|--------------|-------------|-------------|------|
| | Q 711 | DTA114EKA-X | DIGITAL.TRANSIS | | | | R 713 | NRSA02J-560X | MG RESISTOR | | |
| | Q 741 | 2SC3576-JVC-T | TRANSISTOR I/M | FREQ | | | R 714 | NRSA02J-152X | MG RESISTOR | | |
| | Q 743 | 2SC3576-JVC-T | TRANSISTOR I/M | AMUTE1 | | | R 715 | NRSA02J-560X | MG RESISTOR | | |
| | Q 751 | 2SC3576-JVC-T | TRANSISTOR I/M | FREQ | | | R 716 | NRSA02J-152X | MG RESISTOR | | |
| | Q 753 | 2SC3576-JVC-T | TRANSISTOR I/M | AMUTE1 | | | R 717 | NRSA02J-101X | MG RESISTOR | | |
| | Q 791 | DTA114EKA-X | DIGITAL.TRANSIS | | | | R 718 | NRSA02J-0R0X | MG RESISTOR | | |
| | Q 821 | DTC124EKA-X | TRANSISTOR | | | | R 719 | NRSA02J-0R0X | MG RESISTOR | | |
| | Q 822 | DTC124EKA-X | TRANSISTOR | | | | R 720 | NRSA02J-0R0X | MG RESISTOR | | |
| | Q 823 | DTC124EKA-X | TRANSISTOR | | | | R 721 | NRSA02J-471X | MG RESISTOR | | |
| | Q 951 | 2SC2060/QR/-T | TRANSISTOR | | | | R 722 | NRSA02J-471X | MG RESISTOR | | |
| | Q 952 | DTA144EKA-X | TRANSISTOR | | | | R 723 | NRSA02J-471X | MG RESISTOR | | |
| △ | Q 953 | 2SA1175/FE/-T | TRANSISTOR | | | | R 724 | NRSA02J-471X | MG RESISTOR | | |
| | Q 964 | 2SB1565/EF/ | TRANSISTOR | | | | R 725 | NRSA02J-511X | MG RESISTOR | | |
| | Q 965 | 2SC2785/FE/-T | TRANSISTOR | | | | R 726 | NRSA02J-471X | MG RESISTOR | | |
| | Q 966 | 2SA1175/FE/-T | TRANSISTOR | | | | R 727 | NRSA02J-102X | MG RESISTOR | | |
| | Q 991 | 2SC2785/FE/-T | TRANSISTOR | | | | R 728 | NRSA02J-471X | MG RESISTOR | | |
| | R 601 | NRSA02J-270X | MG RESISTOR | | | | R 729 | NRSA02J-471X | MG RESISTOR | | |
| | R 602 | NRSA02J-391X | MG RESISTOR | | | | R 730 | NRSA02J-333X | MG RESISTOR | | |
| | R 603 | NRSA02J-270X | MG RESISTOR | | | | R 731 | NRSA02J-102X | MG RESISTOR | | |
| | R 604 | NRSA02J-391X | MG RESISTOR | | | | R 732 | NRSA02J-333X | MG RESISTOR | | |
| | R 605 | NRSA02J-221X | MG RESISTOR | | | | R 733 | NRSA02J-104X | MG RESISTOR | | |
| | R 606 | QRE141J-102Y | C RESISTOR | 1.0K 5% 1/4W | | | R 734 | NRSA02J-333X | MG RESISTOR | | |
| | R 609 | NRSA02J-750X | MG RESISTOR | | | | R 735 | NRSA02J-104X | MG RESISTOR | | |
| | R 611 | NRSA02J-270X | MG RESISTOR | | | | R 736 | NRSA02J-181X | MG RESISTOR | | |
| | R 612 | NRSA02J-391X | MG RESISTOR | | | | R 737 | NRSA02J-104X | MG RESISTOR | | |
| | R 613 | NRSA02J-270X | MG RESISTOR | | | | R 738 | NRSA02J-153X | MG RESISTOR | | |
| | R 614 | NRSA02J-391X | MG RESISTOR | | | | R 739 | NRSA02J-102X | MG RESISTOR | | |
| | R 615 | NRSA02J-221X | MG RESISTOR | | | | R 740 | QRE141J-243Y | C RESISTOR | 24K 5% 1/4W | |
| | R 616 | QRE141J-102Y | C RESISTOR | 1.0K 5% 1/4W | | | R 741 | QRE141J-243Y | C RESISTOR | 24K 5% 1/4W | |
| | R 619 | NRSA02J-750X | MG RESISTOR | | | | R 742 | QRE141J-163Y | C RESISTOR | 16K 5% 1/4W | |
| | R 621 | NRSA02J-751X | MG RESISTOR | | | | R 743 | QRE141J-163Y | C RESISTOR | 16K 5% 1/4W | |
| | R 622 | NRSA02J-751X | MG RESISTOR | | | | R 744 | NRSA02J-682X | MG RESISTOR | | |
| | R 623 | NRSA02J-751X | MG RESISTOR | | | | R 745 | QRE141J-183Y | C RESISTOR | 18K 5% 1/4W | |
| | R 624 | NRSA02J-751X | MG RESISTOR | | | | R 746 | NRSA02J-821X | MG RESISTOR | | |
| | R 625 | NRSA02J-221X | MG RESISTOR | | | | R 747 | NRSA02J-362X | MG RESISTOR | | |
| | R 629 | NRSA02J-750X | MG RESISTOR | | | | R 748 | NRSA02J-561X | MG RESISTOR | | |
| | R 631 | NRSA02J-680X | MG RESISTOR | | | | R 749 | NRSA02J-103X | MG RESISTOR | | |
| | R 632 | NRSA02J-391X | MG RESISTOR | | | | R 750 | QRE141J-243Y | C RESISTOR | 24K 5% 1/4W | |
| | R 633 | NRSA02J-680X | MG RESISTOR | | | | R 751 | QRE141J-243Y | C RESISTOR | 24K 5% 1/4W | |
| | R 634 | NRSA02J-391X | MG RESISTOR | | | | R 752 | QRE141J-163Y | C RESISTOR | 16K 5% 1/4W | |
| | R 635 | NRSA02J-221X | MG RESISTOR | | | | R 753 | QRE141J-163Y | C RESISTOR | 16K 5% 1/4W | |
| | R 636 | QRE141J-102Y | C RESISTOR | 1.0K 5% 1/4W | | | R 754 | NRSA02J-682X | MG RESISTOR | | |
| | R 639 | NRSA02J-750X | MG RESISTOR | | | | R 755 | QRE141J-183Y | C RESISTOR | 18K 5% 1/4W | |
| | R 641 | NRSA02J-751X | MG RESISTOR | | | | R 756 | NRSA02J-821X | MG RESISTOR | | |
| | R 642 | NRSA02J-751X | MG RESISTOR | | | | R 757 | NRSA02J-362X | MG RESISTOR | | |
| | R 643 | NRSA02J-751X | MG RESISTOR | | | | R 758 | NRSA02J-561X | MG RESISTOR | | |
| | R 644 | NRSA02J-751X | MG RESISTOR | | | | R 759 | NRSA02J-103X | MG RESISTOR | | |
| | R 645 | NRSA02J-221X | MG RESISTOR | | | | R 760 | NRSA02J-105X | MG RESISTOR | | |
| | R 649 | NRSA02J-750X | MG RESISTOR | | | | R 761 | NRSA02J-561X | MG RESISTOR | | |
| | R 650 | QRE141J-561Y | C RESISTOR | 560 5% 1/4W | | | R 762 | NRSA02J-821X | MG RESISTOR | | |
| | R 651 | QRE141J-102Y | C RESISTOR | 1.0K 5% 1/4W | | | R 764 | NRSA02J-183X | MG RESISTOR | | |
| | R 659 | NRSA02J-750X | MG RESISTOR | | | | R 765 | NRSA02J-561X | MG RESISTOR | | |
| | R 701 | NRSA02J-102X | MG RESISTOR | | | | R 766 | NRSA02J-273X | MG RESISTOR | | |
| | R 702 | NRSA02J-472X | MG RESISTOR | | | | R 767 | NRSA02J-151X | MG RESISTOR | | |
| | R 703 | NRSA02J-105X | MG RESISTOR | | | | R 768 | NRSA02J-103X | MG RESISTOR | | |
| | R 704 | NRSA02J-102X | MG RESISTOR | | | | R 770 | NRSA02J-105X | MG RESISTOR | | |
| | R 705 | NRSA02J-2R2X | MG RESISTOR | | | | R 771 | NRSA02J-561X | MG RESISTOR | | |
| | R 706 | NRSA02J-104X | MG RESISTOR | | | | R 772 | NRSA02J-821X | MG RESISTOR | | |
| | R 707 | NRSA02J-101X | MG RESISTOR | | | | R 774 | NRSA02J-183X | MG RESISTOR | | |
| | R 708 | NRSA02J-101X | MG RESISTOR | | | | R 775 | NRSA02J-561X | MG RESISTOR | | |
| | R 709 | NRSA02J-103X | MG RESISTOR | | | | R 776 | NRSA02J-273X | MG RESISTOR | | |
| | R 711 | NRSA02J-560X | MG RESISTOR | | | | R 777 | NRSA02J-151X | MG RESISTOR | | |
| | R 712 | NRSA02J-560X | MG RESISTOR | | | | R 778 | NRSA02J-103X | MG RESISTOR | | |

■ Electrical parts list (Main board)

Block No. 01

| △ | Item | Parts number | Parts name | Remarks | Area |
|---|-------|--------------|--------------|--------------|------|
| | R 782 | NRSA02J-221X | MG RESISTOR | | |
| | R 783 | NRSA02J-221X | MG RESISTOR | | |
| | R 786 | NRSA02J-333X | MG RESISTOR | | |
| | R 788 | NRSA02J-222X | MG RESISTOR | | |
| | R 789 | NRSA02J-222X | MG RESISTOR | | |
| | R 792 | NRSA02J-221X | MG RESISTOR | | |
| | R 793 | NRSA02J-221X | MG RESISTOR | | |
| | R 796 | NRSA02J-472X | MG RESISTOR | | |
| | R 797 | NRSA02J-473X | MG RESISTOR | | |
| | R 798 | NRSA02J-473X | MG RESISTOR | | |
| | R 801 | NRSA02J-222X | MG RESISTOR | | |
| | R 802 | NRSA02J-222X | MG RESISTOR | | |
| | R 803 | NRSA02J-222X | MG RESISTOR | | |
| | R 804 | NRSA02J-222X | MG RESISTOR | | |
| | R 805 | NRSA02J-222X | MG RESISTOR | | |
| | R 806 | NRSA02J-102X | MG RESISTOR | | |
| | R 807 | NRSA02J-102X | MG RESISTOR | | |
| | R 808 | NRSA02J-102X | MG RESISTOR | | |
| | R 809 | NRSA02J-102X | MG RESISTOR | | |
| | R 810 | NRSA02J-102X | MG RESISTOR | | |
| | R 811 | NRSA02J-102X | MG RESISTOR | | |
| | R 812 | NRSA02J-102X | MG RESISTOR | | |
| | R 813 | NRSA02J-102X | MG RESISTOR | | |
| | R 821 | NRSA02J-102X | MG RESISTOR | | |
| | R 825 | NRSA02J-271X | MG RESISTOR | | |
| | R 826 | NRSA02J-271X | MG RESISTOR | | |
| | R 827 | NRSA02J-271X | MG RESISTOR | | |
| | R 830 | NRSA02J-431X | MG RESISTOR | | |
| | R 831 | NRSA02J-681X | MG RESISTOR | | |
| | R 832 | NRSA02J-112X | MG RESISTOR | | |
| | R 833 | NRSA02J-222X | MG RESISTOR | | |
| | R 840 | NRSA02J-431X | MG RESISTOR | | |
| | R 841 | NRSA02J-681X | MG RESISTOR | | |
| | R 842 | NRSA02J-112X | MG RESISTOR | | |
| | R 843 | NRSA02J-222X | MG RESISTOR | | |
| | R 844 | NRSA02J-682X | MG RESISTOR | | |
| | R 845 | NRSA02J-431X | MG RESISTOR | | |
| | R 846 | NRSA02J-681X | MG RESISTOR | | |
| | R 847 | NRSA02J-112X | MG RESISTOR | | |
| | R 848 | NRSA02J-222X | MG RESISTOR | | |
| | R 849 | NRSA02J-682X | MG RESISTOR | | |
| | R 900 | NRSA02J-221X | MG RESISTOR | | |
| △ | R 901 | QRL01DJ-683X | OMF RESISTOR | 68K 5% 1/1W | |
| △ | R 903 | QRE141J-270Y | C RESISTOR | 27 5% 1/4W | |
| | R 904 | QRE141J-222Y | C RESISTOR | 2.2K 5% 1/4W | |
| | R 905 | QRL027J-683 | OMF RESISTOR | 68K 5% 1/2W | |
| | R 906 | QRE141J-681Y | C RESISTOR | 680 5% 1/4W | |
| △ | R 907 | QRT022J-R47 | OMF RESISTOR | 5% 1/2W | |
| | R 908 | QRE141J-332Y | C RESISTOR | 3.3K 5% 1/4W | |
| | R 910 | QRE141J-754Y | C RESISTOR | 750K 5% 1/4W | |
| | R 911 | QRE141J-754Y | C RESISTOR | 750K 5% 1/4W | |
| | R 952 | NRSA02J-103X | MG RESISTOR | | |
| | R 953 | NRSA02J-103X | MG RESISTOR | | |
| △ | R 954 | QRZ9006-4R7X | F RESISTOR | 4.7 1/0W | |
| | R 955 | NRSA02J-223X | MG RESISTOR | | |
| | R 956 | QRE141J-100Y | C RESISTOR | 10 5% 1/4W | |
| | R 960 | NRSA02J-101X | MG RESISTOR | | |
| | R 961 | NRSA02J-681X | MG RESISTOR | | |
| | R 962 | NRSA02J-105X | MG RESISTOR | | |
| | R 963 | NRSA02J-101X | MG RESISTOR | | |
| | R 964 | NRSA02J-105X | MG RESISTOR | | |
| | R 965 | NRSA02J-103X | MG RESISTOR | | |
| | R 969 | NRSA02J-221X | MG RESISTOR | | |

| △ | Item | Parts number | Parts name | Remarks | Area |
|---|-------|--------------|-------------|-----------|------|
| | R 971 | NRSA02J-472X | MG RESISTOR | | |
| | R 972 | NRSA02J-152X | MG RESISTOR | | |
| | R 973 | NRSA02J-102X | MG RESISTOR | | |
| | R 974 | NRSA02J-562X | MG RESISTOR | | |
| | R 975 | NRSA02J-562X | MG RESISTOR | | |
| | R 976 | NRSA02J-221X | MG RESISTOR | | |
| | R 980 | NRSA02J-272X | MG RESISTOR | | |
| | R1704 | NRSA02J-103X | MG RESISTOR | | |
| | R1707 | NRSA02J-222X | MG RESISTOR | | |
| | R1708 | NRSA02J-222X | MG RESISTOR | | |
| | R1709 | NRSA02J-102X | MG RESISTOR | | |
| | R1710 | NRSA02J-102X | MG RESISTOR | | |
| | R1711 | NRSA02J-102X | MG RESISTOR | | |
| | R1712 | NRSA02J-331X | MG RESISTOR | | |
| | R1713 | NRSA02J-101X | MG RESISTOR | | |
| | R1714 | NRSA02J-472X | MG RESISTOR | | |
| | R1715 | NRSA02J-103X | MG RESISTOR | | |
| | R1716 | NRSA02J-102X | MG RESISTOR | | |
| | R1721 | NRSA02J-331X | MG RESISTOR | | |
| | R1722 | NRSA02J-750X | MG RESISTOR | | |
| | R1723 | NRSA02J-270X | MG RESISTOR | | |
| | S 801 | QSW0683-001Z | PUSH SW I.M | | |
| | S 811 | QSW0683-001Z | PUSH SW I.M | | |
| | S 812 | QSW0683-001Z | PUSH SW I.M | | |
| | S 813 | QSW0683-001Z | PUSH SW I.M | | |
| | S 814 | QSW0683-001Z | PUSH SW I.M | | |
| | S 815 | QSW0683-001Z | PUSH SW I.M | | |
| | S 821 | QSW0683-001Z | PUSH SW I.M | | |
| | S 822 | QSW0683-001Z | PUSH SW I.M | | |
| | S 823 | QSW0683-001Z | PUSH SW I.M | | |
| | S 824 | QSW0683-001Z | PUSH SW I.M | | |
| | S 825 | QSW0683-001Z | PUSH SW I.M | | |
| | S 826 | QSW0683-001Z | PUSH SW I.M | | |
| | S 831 | QSW0683-001Z | PUSH SW I.M | | |
| | S 832 | QSW0683-001Z | PUSH SW I.M | | |
| | S 833 | QSW0683-001Z | PUSH SW I.M | | |
| | S 834 | QSW0683-001Z | PUSH SW I.M | | |
| | S 835 | QSW0683-001Z | PUSH SW I.M | | |
| | S 836 | QSW0683-001Z | PUSH SW I.M | | |
| | S 841 | QVQ0123-B15 | SHUTTLE VR | | |
| | SP701 | VYH7653-001 | IC HOLDER | FOR IC701 | |
| | SP802 | VYH7653-002 | IC HOLDER | FOR IC802 | |
| | T 701 | QQR0880-001 | PULSE TRANS | | |
| △ | T 901 | QQS0028-001 | SW TRANSF | | |
| | X 701 | QAX0356-001Z | RESONATOR | | |

■ Electrical parts list (Traverse mechanism control board) Block No. 02

| △ | Item | Parts number | Parts name | Remarks | Area |
|---|-------|--------------|-------------|---------|------|
| | C 101 | NCB31CK-104X | C CAPACITOR | | |
| | C 102 | NEA70JM-476X | E.CAPACITOR | | |
| | C 103 | NCB31CK-104X | C CAPACITOR | | |
| | C 104 | NCS31HJ-560X | C CAPACITOR | | |
| | C 105 | NCS31HJ-101X | C.CAPACITOR | | |
| | C 106 | NEA71CM-106X | E.CAPACITOR | | |
| | C 107 | NCB31CK-104X | C CAPACITOR | | |
| | C 108 | NCB31CK-104X | C CAPACITOR | | |
| | C 109 | NCB31CK-104X | C CAPACITOR | | |
| | C 110 | NCS31HJ-101X | C.CAPACITOR | | |
| | C 111 | NCB21CK-184X | C CAPACITOR | | |
| | C 112 | NCB31CK-104X | C CAPACITOR | | |
| | C 113 | NCB31CK-104X | C CAPACITOR | | |
| | C 114 | NCB31CK-104X | C CAPACITOR | | |
| | C 115 | NCB31HK-392X | C CAPACITOR | | |
| | C 116 | NCB31CK-104X | C CAPACITOR | | |
| | C 117 | NCB11CK-105X | C CAPACITOR | | |
| | C 118 | NEX40JM-336X | E CAPACITOR | | |
| | C 119 | NCB31CK-104X | C CAPACITOR | | |
| | C 120 | NCB31CK-104X | C CAPACITOR | | |
| | C 121 | NCB21CK-334X | C CAPACITOR | | |
| | C 122 | NCS31HJ-121X | C CAPACITOR | | |
| | C 123 | NCB31CK-104X | C CAPACITOR | | |
| | C 124 | NCB31CK-104X | C CAPACITOR | | |
| | C 125 | NCB31CK-104X | C CAPACITOR | | |
| | C 126 | NCS31HJ-221X | C CAPACITOR | | |
| | C 127 | NCS31HJ-221X | C CAPACITOR | | |
| | C 128 | NCB31CK-104X | C CAPACITOR | | |
| | C 129 | NCB21CK-224X | C CAPACITOR | | |
| | C 130 | NCB31HK-102X | C CAPACITOR | | |
| | C 131 | NCB31HK-681X | C CAPACITOR | | |
| | C 132 | NCB31CK-104X | C CAPACITOR | | |
| | C 133 | NEX40JM-566X | E CAPACITOR | | |
| | C 134 | NCB11CK-105X | C CAPACITOR | | |
| | C 135 | NCS31HJ-221X | C CAPACITOR | | |
| | C 136 | NCB31CK-104X | C CAPACITOR | | |
| | C 137 | NCB31CK-104X | C CAPACITOR | | |
| | C 138 | NCB31CK-104X | C CAPACITOR | | |
| | C 139 | NCB31CK-104X | C CAPACITOR | | |
| | C 140 | NCB31CK-104X | C CAPACITOR | | |
| | C 141 | NCS31HJ-820X | C CAPACITOR | | |
| | C 142 | NCB31HK-222X | C CAPACITOR | | |
| | C 143 | NCB21CK-224X | C CAPACITOR | | |
| | C 144 | NCB31CK-104X | C CAPACITOR | | |
| | C 145 | NCB11CK-105X | C CAPACITOR | | |
| | C 151 | NEX40JM-156X | E.CAPACITOR | | |
| | C 152 | NEX40JM-156X | E.CAPACITOR | | |
| | C 153 | NCB31CK-104X | C CAPACITOR | | |
| | C 154 | NCB31CK-104X | C CAPACITOR | | |
| | C 191 | NCB31CK-104X | C CAPACITOR | | |
| | C 192 | NEA70JM-107X | E.CAPACITOR | | |
| | C 201 | NCB31CK-104X | C CAPACITOR | | |
| | C 202 | NCB31CK-393X | C CAPACITOR | | |
| | C 203 | NCB31CK-393X | C CAPACITOR | | |
| | C 204 | NCB31CK-393X | C CAPACITOR | | |
| | C 205 | NCB31CK-393X | C CAPACITOR | | |
| | C 206 | NCB31CK-104X | C CAPACITOR | | |
| | C 208 | NCB31CK-104X | C CAPACITOR | | |
| | C 209 | NCB31CK-104X | C CAPACITOR | | |
| | C 210 | NCB31CK-104X | C CAPACITOR | | |
| | C 211 | NCB31CK-104X | C CAPACITOR | | |
| | C 212 | NCB31CK-104X | C CAPACITOR | | |
| | C 213 | NCB31CK-104X | C CAPACITOR | | |

| △ | Item | Parts number | Parts name | Remarks | Area |
|---|-------|--------------|--------------|---------|------|
| | C 214 | NCB31CK-104X | C CAPACITOR | | |
| | C 215 | NCB31HK-392X | C CAPACITOR | | |
| | C 217 | NCB31HK-821X | C CAPACITOR | | |
| | C 218 | NCB31HK-331X | C CAPACITOR | | |
| | C 219 | NCB31HK-471X | C CAPACITOR | | |
| | C 221 | NCB31HK-271X | C CAPACITOR | | |
| | C 222 | NCB31HK-821X | C CAPACITOR | | |
| | C 223 | NCB31HK-821X | C CAPACITOR | | |
| | C 224 | NEA70JM-226X | E CAPACITOR | | |
| | C 225 | NCB11CK-105X | C CAPACITOR | | |
| | C 226 | NCB31CK-104X | C CAPACITOR | | |
| | C 227 | NCB31CK-104X | C CAPACITOR | | |
| | C 228 | NEA70JM-107X | E.CAPACITOR | | |
| | C 229 | NCB11CK-105X | C CAPACITOR | | |
| | C 230 | NCB31CK-104X | C CAPACITOR | | |
| | C 231 | NCB31CK-104X | C CAPACITOR | | |
| | C 232 | NCB31CK-104X | C CAPACITOR | | |
| | C 233 | NCS31HJ-330X | C CAPACITOR | | |
| | C 234 | NCB31HK-331X | C CAPACITOR | | |
| | C 235 | NCB31CK-104X | C CAPACITOR | | |
| | C 236 | NCB31CK-823X | C CAPACITOR | | |
| | C 237 | NCB31CK-823X | C CAPACITOR | | |
| | C 241 | NCB31CK-104X | C CAPACITOR | | |
| | C 242 | NEA70JM-107X | E.CAPACITOR | | |
| | C 262 | NCB31EK-332X | C CAPACITOR | | |
| | C 271 | NCB31CK-104X | C CAPACITOR | | |
| | C 273 | NCB31HK-102X | C CAPACITOR | | |
| | C 275 | NCB31HK-102X | C CAPACITOR | | |
| | C 276 | NCB31CK-104X | C CAPACITOR | | |
| | C 281 | NEA70JM-226X | E CAPACITOR | | |
| | C 282 | NCB31CK-104X | C CAPACITOR | | |
| | C 284 | NCB31HK-102X | C CAPACITOR | | |
| | C 286 | NCB31HK-102X | C CAPACITOR | | |
| | C 287 | NCB31CK-104X | C CAPACITOR | | |
| | C 288 | NEA71CM-226X | E.CAPAP. C.M | | |
| | C 290 | NCB31CK-104X | C CAPACITOR | | |
| | C 301 | NCB31CK-104X | C CAPACITOR | | |
| | C 302 | NCB31CK-104X | C CAPACITOR | | |
| | C 303 | NCB31CK-104X | C CAPACITOR | | |
| | C 304 | NCB31CK-104X | C CAPACITOR | | |
| | C 305 | NCB31CK-104X | C CAPACITOR | | |
| | C 306 | NCB31CK-104X | C CAPACITOR | | |
| | C 307 | NCB31CK-104X | C CAPACITOR | | |
| | C 308 | NCB31CK-103X | C CAPACITOR | | |
| | C 309 | NCB31CK-104X | C CAPACITOR | | |
| | C 310 | NCB31CK-104X | C CAPACITOR | | |
| | C 311 | NCB31CK-104X | C CAPACITOR | | |
| | C 314 | NCB31CK-104X | C CAPACITOR | | |
| | C 315 | NCB31CK-104X | C CAPACITOR | | |
| | C 316 | NEA70JM-107X | E.CAPACITOR | | |
| | C 317 | NCB11CK-105X | C CAPACITOR | | |
| | C 318 | NCB31CK-104X | C CAPACITOR | | |
| | C 319 | NCB31CK-104X | C CAPACITOR | | |
| | C 320 | NCB31CK-104X | C CAPACITOR | | |
| | C 321 | NCB31CK-104X | C CAPACITOR | | |
| | C 322 | NEA70JM-107X | E.CAPACITOR | | |
| | C 323 | NCB11CK-105X | C CAPACITOR | | |
| | C 324 | NCB31CK-104X | C CAPACITOR | | |
| | C 341 | NCB31CK-104X | C CAPACITOR | | |
| | C 342 | NCB31CK-104X | C CAPACITOR | | |
| | C 343 | NCB31CK-104X | C CAPACITOR | | |
| | C 344 | NCB31CK-104X | C CAPACITOR | | |
| | C 371 | NCS31HJ-100X | C CAPACITOR | | |

■ Electrical parts list (Traverse mechanism control board) Block No. 02

| △ | Item | Parts number | Parts name | Remarks | Area | △ | Item | Parts number | Parts name | Remarks | Area |
|---|-------|--------------|-------------|---------|------|---|-------|-----------------|---------------|---------|------|
| | C 372 | NCS31HJ-100X | C CAPACITOR | | | | C 556 | NEA70JM-107X | E.CAPACITOR | | |
| | C 373 | NCB31CK-104X | C CAPACITOR | | | | C 557 | NCB31CK-104X | C CAPACITOR | | |
| | C 374 | NCB31CK-104X | C CAPACITOR | | | | C 561 | NCB31CK-104X | C CAPACITOR | | |
| | C 376 | NCB31CK-104X | C CAPACITOR | | | | C 562 | NEA70JM-226X | E CAPACITOR | | |
| | C 391 | NCB31CK-104X | C CAPACITOR | | | | C 563 | NCB31CK-104X | C CAPACITOR | | |
| | C 392 | NEA70JM-226X | E CAPACITOR | | | | C 564 | NCB31CK-104X | C CAPACITOR | | |
| | C 401 | NCB31CK-104X | C CAPACITOR | | | | C 565 | NCB31CK-104X | C CAPACITOR | | |
| | C 402 | NCB31CK-104X | C CAPACITOR | | | | C 566 | NCB31CK-104X | C CAPACITOR | | |
| | C 403 | NEA70JM-226X | E CAPACITOR | | | | C 567 | NEA70JM-226X | E CAPACITOR | | |
| | C 404 | NCB31CK-104X | C CAPACITOR | | | | C 568 | NCB31CK-104X | C CAPACITOR | | |
| | C 405 | NCB31CK-104X | C CAPACITOR | | | | C 569 | NEA70JM-226X | E CAPACITOR | | |
| | C 406 | NCB31CK-104X | C CAPACITOR | | | | C 570 | NCB31CK-104X | C CAPACITOR | | |
| | C 407 | NCB31CK-104X | C CAPACITOR | | | | CN101 | QGF1016F2-19W | CONNECTOR | MECHA | |
| | C 408 | NEA70JM-226X | E CAPACITOR | | | | CN102 | QGF1016C2-11W | CONNECTOR | SP&STP | |
| | C 409 | NCB31CK-104X | C CAPACITOR | | | | CN501 | QGA2001F2-09X | CONNECTOR | POWER | |
| | C 411 | NCB31CK-104X | C CAPACITOR | | | | CN502 | QGF1016F2-23W | CONNECTOR | SYSTEM | |
| | C 412 | NCB31CK-104X | C CAPACITOR | | | | CN503 | QGF1016F2-09W | CONNECTOR C.M | VIDEO | |
| | C 441 | NCB31CK-104X | C CAPACITOR | | | | D 201 | 1SS355-X | DIODE | | |
| | C 442 | NEX40JM-156X | E.CAPACITOR | | | | D 272 | DAN202K-X | D.TRANSISTOR | | |
| | C 452 | NCB31CK-104X | C CAPACITOR | | | | D 551 | 1SS355-X | DIODE | | |
| | C 501 | NCB31CK-104X | C CAPACITOR | | | | D 552 | 1SS355-X | DIODE | | |
| | C 502 | NCB31CK-104X | C CAPACITOR | | | | IC101 | AN8706FHQ | IC | | |
| | C 503 | NCB31CK-104X | C CAPACITOR | | | | IC102 | RN5RZ20BA-X | IC | | |
| | C 504 | NCB31CK-104X | C CAPACITOR | | | | IC201 | MN67705EA | IC | | |
| | C 505 | NCB31CK-104X | C CAPACITOR | | | | IC271 | M56788FP-W | IC | | |
| | C 506 | NCB31CK-104X | C CAPACITOR | | | | IC301 | MN103007BGA | IC | | |
| | C 507 | NCB31CK-104X | C CAPACITOR | | | | IC311 | TC7SH08FU-X | IC | | |
| | C 508 | NCB31CK-104X | C CAPACITOR | | | | IC312 | TC7SH32FU-X | IC | | |
| | C 509 | NCB31CK-104X | C CAPACITOR | | | | IC321 | TC7WH74FU-X | IC | | |
| | C 510 | NCB31CK-104X | C CAPACITOR | | | | IC322 | TC74VHC00FT-X | IC | | |
| | C 511 | NCB31CK-104X | C CAPACITOR | | | | IC371 | TC7SHU04FU-X | IC(DIGITAL) | | |
| | C 512 | NCB31CK-104X | C CAPACITOR | | | | IC372 | TC7SHU04FU-X | IC(DIGITAL) | | |
| | C 513 | NCB31CK-104X | C CAPACITOR | | | | IC374 | TC7WH74FU-X | IC | | |
| | C 514 | NCB31CK-104X | C CAPACITOR | | | | IC401 | MN102L25GHB | IC C.M | u-h | |
| | C 515 | NCB31CK-104X | C CAPACITOR | | | | IC402 | MSM531622F75G-X | IC C.M | | |
| | C 516 | NCB31CK-104X | C CAPACITOR | | | | IC403 | AK93C65AF-X | IC | | |
| | C 517 | NCB31CK-104X | C CAPACITOR | | | | IC452 | TC7WT125FU-X | IC(DIGITAL) | | |
| | C 518 | NCB31CK-104X | C CAPACITOR | | | | IC501 | ZIVA3-PE0 | IC | | |
| | C 519 | NCB31CK-104X | C CAPACITOR | | | | IC502 | NAX0265-001X | IC | 27MHZ | |
| | C 520 | NCB31CK-104X | C CAPACITOR | | | | IC503 | TC74VHC00FT-X | IC | | |
| | C 521 | NCB31CK-104X | C CAPACITOR | | | | IC504 | KM416S1120DT-G8 | IC | | |
| | C 522 | NCB31CK-104X | C CAPACITOR | | | | IC505 | KM416S1120DT-G8 | IC | | |
| | C 523 | NCB31CK-104X | C CAPACITOR | | | | IC554 | MC44724AVFU | IC | | |
| | C 524 | NCB31CK-104X | C CAPACITOR | | | | K 101 | NQR0007-002X | FERRITE BEADS | | |
| | C 525 | NCB31CK-104X | C CAPACITOR | | | | K 102 | NQR0007-002X | FERRITE BEADS | | |
| | C 526 | NCB31CK-104X | C CAPACITOR | | | | K 103 | NQR0007-002X | FERRITE BEADS | | |
| | C 527 | NCB31CK-104X | C CAPACITOR | | | | K 155 | NQR0007-002X | FERRITE BEADS | | |
| | C 528 | NCB31CK-104X | C CAPACITOR | | | | K 156 | NQR0007-002X | FERRITE BEADS | | |
| | C 529 | NCB31CK-104X | C CAPACITOR | | | | K 157 | NQR0007-002X | FERRITE BEADS | | |
| | C 530 | NEA70JM-107X | E.CAPACITOR | | | | K 158 | NQR0007-002X | FERRITE BEADS | | |
| | C 531 | NCB31CK-104X | C CAPACITOR | | | | K 159 | NQR0007-002X | FERRITE BEADS | | |
| | C 532 | NCB31CK-104X | C CAPACITOR | | | | K 160 | NQR0007-002X | FERRITE BEADS | | |
| | C 533 | NCB31CK-104X | C CAPACITOR | | | | K 201 | NQR0007-002X | FERRITE BEADS | | |
| | C 534 | NEA70JM-107X | E.CAPACITOR | | | | K 202 | NQR0007-002X | FERRITE BEADS | | |
| | C 535 | NCB31CK-104X | C CAPACITOR | | | | K 271 | NQR0007-002X | FERRITE BEADS | | |
| | C 536 | NCB31CK-103X | C CAPACITOR | | | | K 301 | NQR0007-002X | FERRITE BEADS | | |
| | C 537 | NEA70JM-226X | E CAPACITOR | | | | K 302 | NQR0007-002X | FERRITE BEADS | | |
| | C 538 | NCB31CK-104X | C CAPACITOR | | | | K 371 | NQR0007-002X | FERRITE BEADS | | |
| | C 539 | NCB31CK-104X | C CAPACITOR | | | | K 401 | NQR0007-002X | FERRITE BEADS | | |
| | C 540 | NEA70JM-226X | E CAPACITOR | | | | K 402 | NQR0007-002X | FERRITE BEADS | | |
| | C 541 | NCB31CK-104X | C CAPACITOR | | | | K 501 | NQR0007-002X | FERRITE BEADS | | |
| | C 542 | NEA70JM-226X | E CAPACITOR | | | | K 502 | NQR0007-002X | FERRITE BEADS | | |
| | C 543 | NCB31CK-104X | C CAPACITOR | | | | K 503 | NQR0007-002X | FERRITE BEADS | | |

■ Electrical parts list (Traverse mechanism control board) Block No. 02

| △ | Item | Parts number | Parts name | Remarks | Area |
|---|-------|---------------|-----------------|---------|------|
| | K 504 | NQR0201-001X | FERRITE BEADS | | |
| | K 505 | NQR0269-001X | FERRITE BEADS | | |
| | K 506 | NQR0007-002X | FERRITE BEADS | | |
| | K 550 | NQR0007-002X | FERRITE BEADS | | |
| | K 551 | NQR0007-002X | FERRITE BEADS | | |
| | K 553 | NQR0007-002X | FERRITE BEADS | | |
| | K 554 | NQR0007-002X | FERRITE BEADS | | |
| | K 555 | NQR0007-002X | FERRITE BEADS | | |
| | K 556 | NQR0007-002X | FERRITE BEADS | | |
| | K 557 | NQR0007-002X | FERRITE BEADS | | |
| | K 558 | NQR0007-002X | FERRITE BEADS | | |
| | K 559 | NQR0007-002X | FERRITE BEADS | | |
| | K 561 | NQR0007-002X | FERRITE BEADS | | |
| | K 562 | NQR0007-002X | FERRITE BEADS | | |
| | K 563 | NQR0007-002X | FERRITE BEADS | | |
| | K 564 | NQR0007-002X | FERRITE BEADS | | |
| | K 565 | NQR0007-002X | FERRITE BEADS | | |
| | K 566 | NQR0007-002X | FERRITE BEADS | | |
| | K 567 | NQR0007-002X | FERRITE BEADS | | |
| | K 568 | NQR0007-002X | FERRITE BEADS | | |
| | K 569 | NQR0007-002X | FERRITE BEADS | | |
| | K 570 | NQR0007-002X | FERRITE BEADS | | |
| | K 571 | NQR0007-002X | FERRITE BEADS | | |
| | K 572 | NQR0007-002X | FERRITE BEADS | | |
| | K 574 | NQR0007-002X | FERRITE BEADS | | |
| | K 575 | NQR0007-002X | FERRITE BEADS | | |
| | K 576 | NQR0007-002X | FERRITE BEADS | | |
| | K 577 | NQR0007-002X | FERRITE BEADS | | |
| | K 578 | NQR0007-002X | FERRITE BEADS | | |
| | K 579 | NQR0007-002X | FERRITE BEADS | | |
| | K 580 | NQR0007-002X | FERRITE BEADS | | |
| | K 581 | NQR0007-002X | FERRITE BEADS | | |
| | L 191 | NQL044K-100X | INDUCTOR | | |
| | L 241 | NQL044K-100X | INDUCTOR | | |
| | Q 101 | 2SB1424/QR/-X | TRANSISTOR | | |
| | Q 102 | DTC124EE-X | DIGI TRANSISTOR | | |
| | Q 103 | DTA124EE-X | DIGI TRANSISTOR | | |
| | Q 104 | DTC124EE-X | DIGI TRANSISTOR | | |
| | Q 105 | DTC144EE-X | TRANSISTOR | | |
| | Q 251 | DTC144EE-X | TRANSISTOR | | |
| | Q 252 | DTA144EE-X | DIGI TRANSISTOR | | |
| | Q 254 | DTC144EE-X | TRANSISTOR | | |
| | R 101 | NRS125J-270X | MG RESISTOR | | |
| | R 102 | NRS125J-2R2X | MG RESISTOR | | |
| | R 103 | NRSA63J-123X | MG RESISTOR | | |
| | R 104 | NRSA63J-103X | MG RESISTOR | | |
| | R 106 | NRSA63J-223X | MG RESISTOR | | |
| | R 108 | NRSA63J-103X | MG RESISTOR | | |
| | R 109 | NRSA63J-823X | MG RESISTOR | | |
| | R 110 | NRSA63J-393X | MG RESISTOR | | |
| | R 112 | NRVA63D-123X | MG RESISTOR | | |
| | R 113 | NRSA63J-393X | MG RESISTOR | | |
| | R 114 | NRSA63J-272X | MG RESISTOR | | |
| | R 115 | NRSA63J-223X | MG RESISTOR | | |
| | R 116 | NRSA63J-103X | MG RESISTOR | | |
| | R 117 | NRSA63J-223X | MG RESISTOR | | |
| | R 118 | NRSA63J-153X | MG RESISTOR | | |
| | R 119 | NRSA63J-155X | MG RESISTOR | | |
| | R 120 | NRVA63D-332X | MF RESISTOR | | |
| | R 121 | NRSA63J-474X | MG RESISTOR | | |
| | R 122 | NRSA63J-474X | MG RESISTOR | | |
| | R 123 | NRSA63J-822X | MG RESISTOR | | |
| | R 124 | NRSA63J-183X | MG RESISTOR | | |

| △ | Item | Parts number | Parts name | Remarks | Area |
|---|-------|--------------|-------------|---------|------|
| | R 125 | NRSA63J-154X | MG RESISTOR | | |
| | R 126 | NRSA63J-564X | MG RESISTOR | | |
| | R 127 | NRSA63J-123X | MG RESISTOR | | |
| | R 128 | NRSA63J-223X | MG RESISTOR | | |
| | R 129 | NRSA63J-103X | MG RESISTOR | | |
| | R 130 | NRSA63J-822X | MG RESISTOR | | |
| | R 131 | NRSA63J-0R0X | MG RESISTOR | | |
| | R 201 | NRSA63J-102X | MG RESISTOR | | |
| | R 202 | NRSA63J-102X | MG RESISTOR | | |
| | R 203 | NRSA63J-102X | MG RESISTOR | | |
| | R 204 | NRSA63J-102X | MG RESISTOR | | |
| | R 205 | NRSA63J-473X | MG RESISTOR | | |
| | R 206 | NRSA63J-103X | MG RESISTOR | | |
| | R 207 | NRSA63J-473X | MG RESISTOR | | |
| | R 209 | NRSA63J-473X | MG RESISTOR | | |
| | R 210 | NRSA63J-473X | MG RESISTOR | | |
| | R 211 | NRSA63J-102X | MG RESISTOR | | |
| | R 212 | NRSA63J-102X | MG RESISTOR | | |
| | R 213 | NRSA63J-183X | MG RESISTOR | | |
| | R 214 | NRSA63J-822X | MG RESISTOR | | |
| | R 215 | NRSA63J-473X | MG RESISTOR | | |
| | R 216 | NRSA63J-473X | MG RESISTOR | | |
| | R 217 | NRSA63J-0R0X | MG RESISTOR | | |
| | R 218 | NRSA63J-0R0X | MG RESISTOR | | |
| | R 219 | NRSA63J-0R0X | MG RESISTOR | | |
| | R 220 | NRSA63J-472X | MG RESISTOR | | |
| | R 221 | NRSA63J-0R0X | MG RESISTOR | | |
| | R 222 | NRSA63J-0R0X | MG RESISTOR | | |
| | R 223 | NRSA63J-0R0X | MG RESISTOR | | |
| | R 224 | NRSA63J-0R0X | MG RESISTOR | | |
| | R 225 | NRSA63J-0R0X | MG RESISTOR | | |
| | R 226 | NRSA63J-0R0X | MG RESISTOR | | |
| | R 227 | NRSA63J-0R0X | MG RESISTOR | | |
| | R 228 | NRSA63J-103X | MG RESISTOR | | |
| | R 229 | NRSA63J-0R0X | MG RESISTOR | | |
| | R 230 | NRSA63J-103X | MG RESISTOR | | |
| | R 231 | NRVA63D-683X | MF RESISTOR | | |
| | R 232 | NRVA63D-683X | MF RESISTOR | | |
| | R 233 | NRSA63J-103X | MG RESISTOR | | |
| | R 234 | NRSA63J-103X | MG RESISTOR | | |
| | R 235 | NRSA63J-473X | MG RESISTOR | | |
| | R 236 | NRSA63J-123X | MG RESISTOR | | |
| | R 237 | NRSA63J-0R0X | MG RESISTOR | | |
| | R 238 | NRSA63J-223X | MG RESISTOR | | |
| | R 239 | NRSA63J-333X | MG RESISTOR | | |
| | R 240 | NRSA63J-333X | MG RESISTOR | | |
| | R 241 | NRVA63D-362X | MG RESISTOR | | |
| | R 242 | NRSA63J-102X | MG RESISTOR | | |
| | R 243 | NRSA63J-472X | MG RESISTOR | | |
| | R 244 | NRSA63J-102X | MG RESISTOR | | |
| | R 245 | NRVA63D-123X | MG RESISTOR | | |
| | R 247 | NRVA63D-123X | MG RESISTOR | | |
| | R 249 | NRSA63J-102X | MG RESISTOR | | |
| | R 251 | NRVA63D-123X | MG RESISTOR | | |
| | R 252 | NRVA63D-123X | MG RESISTOR | | |
| | R 253 | NRVA63D-123X | MG RESISTOR | | |
| | R 254 | NRVA63D-123X | MG RESISTOR | | |
| | R 257 | NRSA63J-103X | MG RESISTOR | | |
| | R 266 | NRSA63J-223X | MG RESISTOR | | |
| | R 268 | NRSA63J-563X | MG RESISTOR | | |
| | R 269 | NRSA63J-0R0X | MG RESISTOR | | |
| | R 270 | NRSA63J-393X | MG RESISTOR | | |
| | R 271 | NRSA63J-243X | MG RESISTOR | | |

■ Electrical parts list (Traverse mechanism control board) Block No. 02

| △ | Item | Parts number | Parts name | Remarks | Area | △ | Item | Parts number | Parts name | Remarks | Area |
|---|-------|--------------|-------------|---------|------|---|-------|--------------|--------------|---------|------|
| | R 272 | NRSA63J-103X | MG RESISTOR | | | | R 506 | NRSA63J-330X | MG RESISTOR | | |
| | R 273 | NRSA63J-103X | MG RESISTOR | | | | R 507 | NRSA63J-330X | MG RESISTOR | | |
| | R 275 | NRSA63J-243X | MG RESISTOR | | | | R 508 | NRSA63J-330X | MG RESISTOR | | |
| | R 276 | NRSA63J-103X | MG RESISTOR | | | | R 509 | NRSA63J-330X | MG RESISTOR | | |
| | R 277 | NRSA63J-103X | MG RESISTOR | | | | R 510 | NRSA63J-330X | MG RESISTOR | | |
| | R 278 | NRSA63J-223X | MG RESISTOR | | | | R 511 | NRSA63J-330X | MG RESISTOR | | |
| | R 279 | NRSA63J-223X | MG RESISTOR | | | | R 512 | NRSA63J-330X | MG RESISTOR | | |
| | R 282 | NRSA63J-223X | MG RESISTOR | | | | R 513 | NRSA63J-330X | MG RESISTOR | | |
| | R 283 | NRSA63J-103X | MG RESISTOR | | | | R 514 | NRSA63J-330X | MG RESISTOR | | |
| | R 284 | NRSA63J-103X | MG RESISTOR | | | | R 515 | NRSA63J-330X | MG RESISTOR | | |
| | R 285 | NRSA63J-0R0X | MG RESISTOR | | | | R 516 | NRSA63J-330X | MG RESISTOR | | |
| | R 286 | NRSA63J-223X | MG RESISTOR | | | | R 517 | NRSA63J-330X | MG RESISTOR | | |
| | R 287 | NRSA63J-103X | MG RESISTOR | | | | R 518 | NRSA63J-330X | MG RESISTOR | | |
| | R 288 | NRSA63J-103X | MG RESISTOR | | | | R 519 | NRSA63J-330X | MG RESISTOR | | |
| | R 290 | NRSA63J-0R0X | MG RESISTOR | | | | R 520 | NRSA63J-330X | MG RESISTOR | | |
| | R 301 | NRSA63J-473X | MG RESISTOR | | | | R 521 | NRSA63J-330X | MG RESISTOR | | |
| | R 302 | NRSA63J-473X | MG RESISTOR | | | | R 522 | NRSA63J-330X | MG RESISTOR | | |
| | R 303 | NRSA63J-473X | MG RESISTOR | | | | R 523 | NRSA63J-181X | MG RESISTOR | | |
| | R 304 | NRSA63J-473X | MG RESISTOR | | | | R 524 | NRSA63J-181X | MG RESISTOR | | |
| | R 305 | NRSA63J-473X | MG RESISTOR | | | | R 525 | NRSA63J-181X | MG RESISTOR | | |
| | R 306 | NRSA63J-473X | MG RESISTOR | | | | R 526 | NRSA63J-181X | MG RESISTOR | | |
| | R 307 | NRSA63J-473X | MG RESISTOR | | | | R 527 | NRSA63J-181X | MG RESISTOR | | |
| | R 308 | NRSA63J-473X | MG RESISTOR | | | | R 528 | NRSA63J-181X | MG RESISTOR | | |
| | R 310 | NRSA63J-102X | MG RESISTOR | | | | R 529 | NRSA63J-181X | MG RESISTOR | | |
| | R 311 | NRSA63J-102X | MG RESISTOR | | | | R 530 | NRSA63J-181X | MG RESISTOR | | |
| | R 312 | NRSA63J-102X | MG RESISTOR | | | | R 531 | NRSA63J-330X | MG RESISTOR | | |
| | R 313 | NRSA63J-0R0X | MG RESISTOR | | | | R 532 | NRSA63J-0R0X | MG RESISTOR | | |
| | R 314 | NRSA63J-0R0X | MG RESISTOR | | | | R 533 | NRSA63J-330X | MG RESISTOR | | |
| | R 315 | NRSA63J-0R0X | MG RESISTOR | | | | R 534 | NRSA63J-330X | MG RESISTOR | | |
| | R 317 | NRSA63J-473X | MG RESISTOR | | | | R 535 | NRSA63J-330X | MG RESISTOR | | |
| | R 318 | NRSA63J-0R0X | MG RESISTOR | | | | R 536 | NRSA63J-330X | MG RESISTOR | | |
| | R 319 | NRSA63J-0R0X | MG RESISTOR | | | | R 537 | NRSA63J-330X | MG RESISTOR | | |
| | R 322 | NRSA63J-473X | MG RESISTOR | | | | R 538 | NRSA63J-330X | MG RESISTOR | | |
| | R 324 | NRSA63J-473X | MG RESISTOR | | | | R 539 | NRSA63J-330X | MG RESISTOR | | |
| | R 328 | NRSA63J-473X | MG RESISTOR | | | | R 540 | NRSA63J-330X | MG RESISTOR | | |
| | R 342 | NRSA63J-0R0X | MG RESISTOR | | | | R 541 | NRSA63J-0R0X | MG RESISTOR | | |
| | R 343 | NRSA63J-102X | MG RESISTOR | | | | R 542 | NRSA63J-0R0X | MG RESISTOR | | |
| | R 371 | NRSA63J-105X | MG RESISTOR | | | | R 543 | NRSA63J-0R0X | MG RESISTOR | | |
| | R 372 | NRSA63J-101X | MG RESISTOR | | | | R 544 | NRSA63J-0R0X | MG RESISTOR | | |
| | R 373 | NRSA63J-0R0X | MG RESISTOR | | | | R 545 | NRSA63J-472X | MG RESISTOR | | |
| | R 403 | NRSA63J-472X | MG RESISTOR | | | | R 546 | NRSA63J-332X | MG RESISTOR | | |
| | R 405 | NRSA63J-472X | MG RESISTOR | | | | R 547 | NRSA63J-222X | MG RESISTOR | | |
| | R 408 | NRSA63J-472X | MG RESISTOR | | | | R 548 | NRSA63J-332X | MG RESISTOR | | |
| | R 410 | NRSA63J-0R0X | MG RESISTOR | | | | R 550 | NRSA63J-0R0X | MG RESISTOR | | |
| | R 411 | NRSA63J-472X | MG RESISTOR | | | | R 564 | NRVA63D-152X | MG RESISTOR | | |
| | R 412 | NRSA63J-103X | MG RESISTOR | | | | R 565 | NRVA63D-332X | MF RESISTOR | | |
| | R 413 | NRSA63J-472X | MG RESISTOR | | | | R 571 | NRSA63J-100X | MG RESISTOR | | |
| | R 414 | NRSA63J-472X | MG RESISTOR | | | | R 572 | NRSA63J-181X | MG RESISTOR | | |
| | R 415 | NRSA63J-472X | MG RESISTOR | | | | R 573 | NRSA63J-181X | MG RESISTOR | | |
| | R 416 | NRSA63J-472X | MG RESISTOR | | | | R 574 | NRSA63J-181X | MG RESISTOR | | |
| | R 418 | NRSA63J-472X | MG RESISTOR | | | | R 575 | NRSA63J-181X | MG RESISTOR | | |
| | R 420 | NRSA63J-0R0X | MG RESISTOR | | | | R 576 | NRSA63J-181X | MG RESISTOR | | |
| | R 422 | NRSA63J-0R0X | MG RESISTOR | | | | R 577 | NRSA63J-181X | MG RESISTOR | | |
| | R 423 | NRSA63J-0R0X | MG RESISTOR | | | | R 578 | NRSA63J-181X | MG RESISTOR | | |
| | R 424 | NRSA63J-0R0X | MG RESISTOR | | | | R 579 | NRSA63J-181X | MG RESISTOR | | |
| | R 431 | NRSA63J-472X | MG RESISTOR | | | | R 580 | NRSA63J-181X | MG RESISTOR | | |
| | R 432 | NRSA63J-472X | MG RESISTOR | | | | R 581 | NRSA63J-101X | MG RESISTOR | | |
| | R 461 | NRSA63J-0R0X | MG RESISTOR | | | | R 582 | NRSA63J-0R0X | MG RESISTOR | | |
| | R 462 | NRSA63J-0R0X | MG RESISTOR | | | | R 586 | NRVA63D-122X | MG RESISTOR | | |
| | R 501 | NRSA63J-102X | MG RESISTOR | | | | R 587 | NRVA63D-122X | MG RESISTOR | | |
| | R 502 | NRSA63J-222X | MG RESISTOR | | | | R 588 | NRVA63D-102X | CMF RESISTOR | | |
| | R 503 | NRSA63J-103X | MG RESISTOR | | | | R 589 | NRVA63D-102X | CMF RESISTOR | | |
| | R 504 | NRSA63J-330X | MG RESISTOR | | | | X 371 | NAX0277-002X | CRYSTAL | | |
| | R 505 | NRSA63J-330X | MG RESISTOR | | | | X 401 | NAX0331-001X | C RESONATOR | | |

Block No. 03

■ Electrical parts list (DVD changer mechanism switch board)

| △ | Item | Parts number | Parts name | Remarks | Area |
|---|-------|--------------|------------|---------|------|
| | CN804 | QGB2016J1-07 | CONNECTOR | | |
| | SW 1 | QSW0507-001 | SWITCH | | |
| | SW 2 | QSW0507-001 | SWITCH | | |
| | SW 3 | QSW0507-001 | SWITCH | | |
| | SW 4 | QSW0507-001 | SWITCH | | |
| | SW 5 | QSW0507-001 | SWITCH | | |
| | SW 6 | QSW0507-001 | SWITCH | | |

Block No. 04

■ Electrical parts list (Mechanism control board)

| △ | Item | Parts number | Parts name | Remarks | Area |
|---|-------|----------------|--------------|----------------|------|
| | C 801 | QEK41AM-107Z | E CAPACITOR | 100MF 20% 10V | |
| | C 802 | QEK41EM-475 | E CAPACITOR | 4.7MF 20% 25V | |
| | C 803 | QFLC1HJ-102Z | M CAPACITOR | 1000PF 5% 50V | |
| | C 804 | QCFB1HZ-104Y | C CAPACITOR | .10MF +80:-20% | |
| | C 805 | QDYB1CM-103Y | C CAPACITOR | | |
| | C 806 | QEK41CM-476 | E CAPACITOR | 47MF 20% 16V | |
| | C 807 | QEK41CM-476 | E CAPACITOR | 47MF 20% 16V | |
| | C 808 | QFLC1HJ-102Z | M CAPACITOR | 1000PF 5% 50V | |
| | C 810 | QCZ0205-155Z | ML C CAP I/M | 1.5MF | |
| | C 811 | QCZ0205-155Z | ML C CAP I/M | 1.5MF | |
| | C 813 | QDYB1CM-103Y | C CAPACITOR | | |
| | C 821 | QDGB1HK-102Y | C CAPACITOR | | |
| | CN801 | QGF1205F1-10 | CONNECTOR | TO MICON | |
| | CN802 | QGB2016K1-07 | CONNECTOR | TO SWITCH PWB | |
| | CN803 | QGB2012K2-10 | CONNECTOR | TO CAM SW PWB | |
| | IC801 | UPD65612GB-208 | IC | | |
| △ | IC802 | TA8409S | IC | | |
| △ | IC803 | TA8409S | IC | | |
| | L 801 | QQL231K-100Y | INDUCTOR | | |
| | L 802 | QQL01BK-100Z | INDUCTOR | | |
| | L 803 | QQL01BK-100Z | INDUCTOR | | |
| | L 804 | QQL01BK-100Z | INDUCTOR | | |
| | R 805 | QRE141J-102Y | C RESISTOR | 1.0K 5% 1/4W | |
| | R 806 | QRE141J-471Y | C RESISTOR | 470 5% 1/4W | |
| | R 807 | QRE141J-471Y | C RESISTOR | 470 5% 1/4W | |
| | R 808 | QRE141J-102Y | C RESISTOR | 1.0K 5% 1/4W | |
| | R 810 | QRE141J-684Y | C RESISTOR | 680K 5% 1/4W | |
| | R 811 | QRE141J-105Y | C RESISTOR | 1.0M 5% 1/4W | |
| | R 813 | QRE141J-102Y | C RESISTOR | 1.0K 5% 1/4W | |
| | R 814 | QRE141J-102Y | C RESISTOR | 1.0K 5% 1/4W | |
| | R 815 | QRE141J-102Y | C RESISTOR | 1.0K 5% 1/4W | |
| | R 816 | QRE141J-102Y | C RESISTOR | 1.0K 5% 1/4W | |
| | R 817 | QRE141J-102Y | C RESISTOR | 1.0K 5% 1/4W | |
| | R 818 | QRE141J-102Y | C RESISTOR | 1.0K 5% 1/4W | |
| | R 819 | QRE141J-102Y | C RESISTOR | 1.0K 5% 1/4W | |
| | R 820 | QRE141J-102Y | C RESISTOR | 1.0K 5% 1/4W | |
| | R 821 | QRE141J-102Y | C RESISTOR | 1.0K 5% 1/4W | |
| | R 822 | QRE141J-102Y | C RESISTOR | 1.0K 5% 1/4W | |
| | R 823 | QRE141J-102Y | C RESISTOR | 1.0K 5% 1/4W | |
| | R 824 | QRE141J-102Y | C RESISTOR | 1.0K 5% 1/4W | |
| | R 825 | QRE141J-102Y | C RESISTOR | 1.0K 5% 1/4W | |
| | R 826 | QRE141J-102Y | C RESISTOR | 1.0K 5% 1/4W | |
| | R 827 | QRE141J-102Y | C RESISTOR | 1.0K 5% 1/4W | |
| | R 828 | QRE141J-102Y | C RESISTOR | 1.0K 5% 1/4W | |
| | R 829 | QRE141J-102Y | C RESISTOR | 1.0K 5% 1/4W | |
| | R 830 | QRE141J-102Y | C RESISTOR | 1.0K 5% 1/4W | |
| | R 832 | QRE141J-181Y | C RESISTOR | 180 5% 1/4W | |
| | R 833 | QRE141J-102Y | C RESISTOR | 1.0K 5% 1/4W | |
| | R 834 | QRE141J-102Y | C RESISTOR | 1.0K 5% 1/4W | |
| | R 838 | QRE141J-272Y | C RESISTOR | 2.7K 5% 1/4W | |
| | R 839 | QRE141J-332Y | C RESISTOR | 3.3K 5% 1/4W | |
| | R 840 | QRE141J-562Y | C RESISTOR | 5.6K 5% 1/4W | |

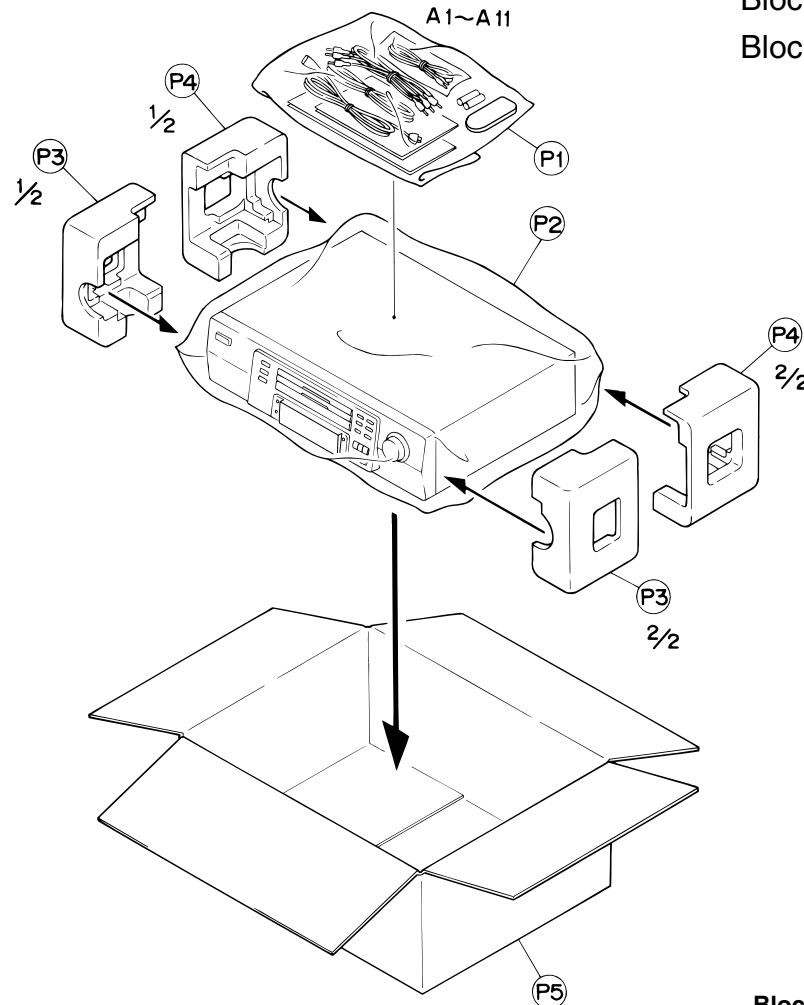
■ Electrical parts list (Conection board) Block No. 05

| △ | Item | Parts number | Parts name | Remarks | Area |
|---|-------|--------------|-----------------|----------|------|
| | C 13 | NCS21HJ-101X | C CAPACITOR | | |
| | C 14 | NCS21HJ-101X | C CAPACITOR | | |
| | CN 10 | QGF1030F1-19 | FFC/FPC CONNE | | |
| | CN 11 | QGF1016F3-11 | CONNECTOR | | |
| | CN 12 | QGF1030F1-21 | FFC/FPC CONNE | | |
| | CN 13 | QGF1030F1-07 | FFC/FPC CONNE | | |
| | CN 14 | VMC0159-002 | SHORT CONNECTOR | | |
| | CN 24 | VMC0160-001 | SHORT SOCKET | FOR CN14 | |
| | K 10 | NQR0007-002X | F.BEADS C.M | | |
| | K 11 | NQR0007-002X | F.BEADS C.M | | |
| | K 12 | NQR0007-002X | F.BEADS C.M | | |
| | K 13 | NQR0007-002X | F.BEADS C.M | | |
| | K 14 | NQR0007-002X | F.BEADS C.M | | |
| | K 15 | NQR0007-002X | F.BEADS C.M | | |
| | K 16 | NQR0007-002X | F.BEADS C.M | | |
| | K 17 | NQR0007-002X | F.BEADS C.M | | |
| | R 10 | NRSA02J-911X | MG RESISTOR | | |
| | S 10 | QSW0620-001 | SWITCH | | |

Packing materials and accessories parts list

Block No. M 4 M M

Block No. M 5 M M



■ Packing list

Block No. M4MM

| △ | Item | Parts number | Parts name | Q'ty | Description | Area |
|---|------|--------------|--------------|------|-------------|------|
| | P 1 | QPA02503505P | POLY BAG | 1 | ACCESSORY A | |
| | P 2 | QPC06506515P | POLY BAG | 1 | FOR SET | |
| | P 3 | LV20509-201A | CUSHION (F) | 1 | FRONT | |
| | P 4 | LV20510-201A | CUSHION (R) | 1 | REAR | |
| | P 5 | LV20822-001A | CARTON BOX | 1 | XV-M565BK | |
| | | LV20822-008A | PACKING CASE | 1 | XV-M567GD | |

■ Accessory list

Block No. M5MM

| △ | Item | Parts number | Parts name | Q'ty | Description | Area |
|---|------|----------------|------------------|------|-------------|------|
| | A 1 | LVT0521-001A | INST BOOK | 1 | | J |
| | | LVT0521-002A | INST.BOOK | 1 | XV-M565BK | C |
| | A 2 | BT-51020-2 | J=REGIST CARD | 1 | | |
| △ | A 3 | YU20333 | SAFETY INST. | 1 | | |
| △ | A 4 | QMPE090-183-JD | POWER CORD | 1 | | |
| | A 5 | BT-52004-1 | WARRANTY CARD | 1 | XV-M565BK | C |
| | A 6 | EWP805-014 | 1P PLUG CORD(JE) | 1 | | |
| | A 7 | QAM0004-002 | S-VIDEO CORD | 1 | | |
| | A 8 | QAM0218-001 | A/V CABLE | 1 | | |
| | A 9 | RM-SXVM567J | REMOCON UNIT | 1 | XV-M567GD | |
| | | RM-SXVM565J | REMOCON UNIT | 1 | XV-M565BK | |
| | A 10 | ----- | BATTERY | 2 | | |
| | A 11 | BT-20071B | SVC-CENTER LIST | 1 | XV-M565BK | C |